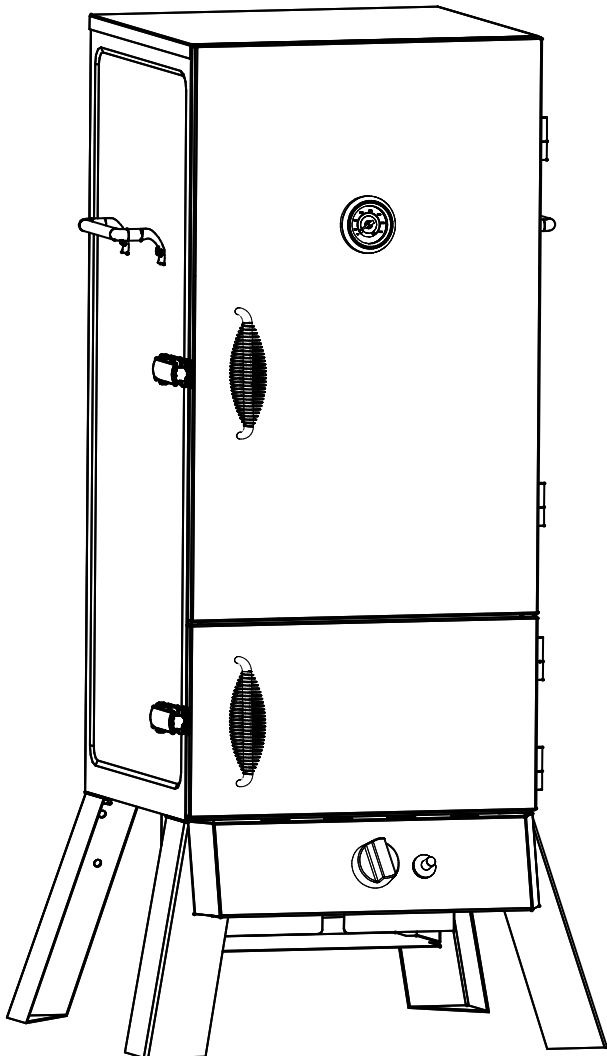


MASTERBUILT®

EST. 1973

Welcome to the family. Let's get started.



MPS 230S

PROPANE SMOKER
FUMEUR DE PROPANE
PROPANO FUMADOR

Manual applies to the following model number(s)
Le manuel s'applique aux numéros de modèle suivants
El manual se aplica a los siguientes números de modelo

**MB20051311, MB20052318, MB21050813,
MB25050217**

Your model number | Votre numéro de modèle | Su número de modelo

Mfg. Date - Serial Number | Date de fabrication - Numéro de série
| Fecha Fabricado - Número de serie

*These numbers are located on the rating label of the unit.
Le numéro de série se trouve sur la plaque signalétique de l'unité.
El número de serie se encuentra en la etiqueta de la unidad.*

IMPORTANT | IMPORTANTE

Please record this information immediately and keep in a safe place for future use.

Veillez noter cette information immédiatement et la conserver dans un endroit sûr pour une utilisation future.

Por favor, registrar esta información inmediatamente y guardar en un lugar seguro para su uso futuro.

Manual Code: 9805170024 171130-GSB



Master it. Masterbuilt.

<p>! CARBON MONOXIDE HAZARD !</p> <p>Burning wood chips gives off carbon monoxide, which has no odor and can cause death.</p> <p>DO NOT burn wood chips inside homes, vehicles, tents, garages or any enclosed areas.</p> <p>USE ONLY OUTDOORS where it is well ventilated.</p>	<p>! DANGER !</p> <p>IF YOU SMELL GAS:</p> <ol style="list-style-type: none"> 1. Shut off gas to the appliance. 2. Extinguish any open flame. 3. Open/remove door. 4. If odor continues, keep away from the appliance and immediately call your Fire Department.
--	--

! WARNING !

This manual contains important information necessary for the proper assembly and safe use of the appliance.

Read and follow all warnings and instructions before assembling and using the appliance.

Follow all warnings and instructions when using the appliance.

Keep this manual for future reference.

! Failure to follow these instructions could result in fire, explosion or burn hazard which could cause property damage, personal injury, or death. !

! DANGER !

1. Never operate this appliance unattended.
2. Never operate this appliance within 10 feet (3.0m) of any structure, combustible material or other gas cylinder.
3. Never operate this appliance within 25 feet (7.5m) of any flammable liquid.
4. If fire should occur, keep away from appliance and immediately call your fire department. Do not attempt to extinguish an oil/grease fire with water.

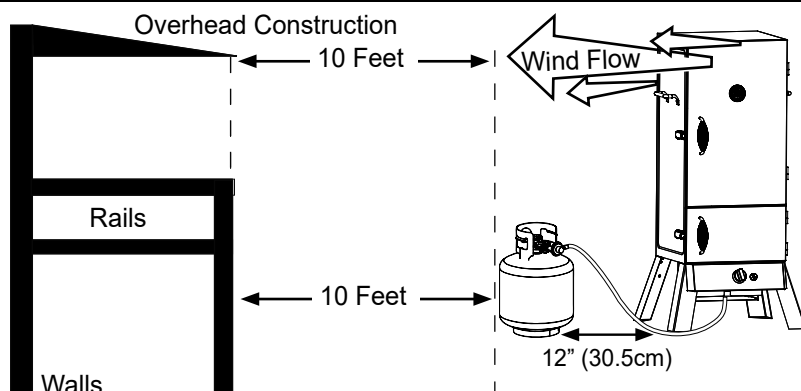
! WARNING !

CALIFORNIA PROPOSITION 65

1. Combustion by-products produced when using this product contain chemicals known to the State of California to cause cancer, birth defects, and other reproductive harm.
2. This product contains chemicals known to the State of California to cause cancer, birth defects or other reproductive harm.

STRUCTURAL PROXIMITY AND SAFETY USAGE RECOMMENDATIONS

Before using smoker check wind direction and place cylinder DOWNWIND 12" in upright position. This is necessary so that cylinder supply system is arranged for vapor withdrawal and prevent cylinder from striking unit if tipped.



! WARNING: HOSE IS A TRIP HAZARD THAT COULD CAUSE SUPPLY CYLINDER TO TIP !



GENERAL WARNINGS AND SAFETY INFORMATION



READ ALL INSTRUCTIONS

- Always use unit in accordance with all applicable local, state and federal fire codes.
- Before each use check all nuts, screws and bolts to make sure they are tight and secure.
- Never operate unit under overhead construction such as roof coverings, carports, awnings, or overhangs.
- Unit is for **HOUSEHOLD OUTDOOR USE ONLY**.
- Never use inside enclosed areas such as patios, garages, buildings or tents.
- Never use inside or on recreational vehicles or boats.
- Maintain a minimum distance of 10ft (3m) from overhead construction, walls, rails or other structures.
- Keep a minimum 10ft (3m) clearance of all combustible materials such as wood, dry plants, grass, brush, paper, or canvas.
- Never use unit for anything other than its intended use. This unit is **NOT** for commercial use.
- Accessory attachments not supplied by Masterbuilt Manufacturing, LLC are **NOT** recommended and may cause injury.
- Use of alcohol, prescription or non-prescription drugs may impair user's ability to properly assemble or safely operate unit.
- Keep a fire extinguisher accessible at all times while operating unit.
- When cooking with oil or grease, have a type BC or ABC fire extinguisher readily available.
- In the event of an oil or grease fire do not attempt to extinguish with water. Immediately call the fire department. A Type BC or ABC fire extinguisher may, in some circumstances contain the fire.
- Use unit on a level, non-combustible, stable surface such as dirt, concrete, brick or rock. An asphalt surface (blacktop) may not be acceptable for this purpose.
- Unit **MUST** be on the ground. Do not place unit on tables or counters. Do **NOT** move unit across uneven surfaces.
- Do not use unit on wooden or flammable surfaces.
- Keep unit clear and free from combustible materials such as gasoline and other flammable vapors and liquids.
- Do not leave unit unattended.
- Keep children and pets away from unit at all times. Do **NOT** allow children to use unit. Close supervision is necessary should children or pets be in area where unit is being used.
- Do **NOT** allow anyone to conduct activities around unit during or following its use until it has cooled.
- Never use glass, plastic or ceramic cookware in unit. Never place empty cookware in unit while in use.
- Never move unit when in use. Allow unit to cool completely (below 115°F (45°C)) before moving or storing.
- Store only when fire is completely out and all surfaces are cold.
- Never use unit as a heater (**READ CARBON MONOXIDE HAZARD**).
- The unit is **HOT** while in use and will remain **HOT** for a period of time afterwards and during cooling process. Use **CAUTION**. Wear protective gloves/mitts.
- Be careful when removing food from unit. All surfaces are **HOT** and may cause burns. Use protective gloves/mitts or long, sturdy cooking tools for protection from hot surfaces or splatter from cooking liquids.
- **DO NOT** bump or impact the unit to prevent personal harm, damage to unit or spillage/splashing of hot cooking liquid.
- Do not touch **HOT** surfaces
- Unit is hot during use. To avoid burns, keep face and body away from door, lid and vents. Steam and hot air are expelled during use.
- Air dampers are **HOT** while the unit is in use and during cooling; wear protective gloves when adjusting.
- Unit has an open flame. Keep hands, hair, and face away from burner flame. Do **NOT** lean over burner when lighting. Loose hair and clothing may catch fire.
- **DO NOT** obstruct flow of combustion and ventilation.
- Do not cover cooking racks with metal foil. This will trap heat and may cause damage to the unit.
- Installation of unit must conform with local codes or in the absence of local codes, with National Fuel Gas Code, ANSI Z223.1/NFPA 54, Storage and Handling of Liquefied Petroleum Gases, ANSI/NFPA 58 or CSA B149.1, Natural Gas Installation Code; Propane Storage and Handling, CSA B149.2; or the Standard for Recreational Vehicles, ANSI A119.2/NFPA 1192; and Recreational Vehicle Code, CSA Z240 RV Series as applicable.
- Before each use inspect gas hose for signs of damage.

**WARNINGS & IMPORTANT SAFEGUARDS
CONTINUED ON PAGE 4**



GENERAL WARNINGS AND SAFETY INFORMATION



WARNINGS & IMPORTANT SAFEGUARDS CONTINUED FROM PAGE 3

- Keep fuel supply hose away from any heated surface.
- Keep fuel supply hose away from unit while in operation.
- Regulator and hose assembly supplied with unit **MUST** be used. For replacement parts, if needed, contact Masterbuilt Customer Service at 1-800-489-1581.
- Use 20LB (9kgs) gas cylinder that has protective collar (cylinder not included with unit).
- Keep ventilation openings of cylinder enclosure free and clear of debris.
- LP gas cylinder being used must be constructed and marked in accordance with specifications for LP gas cylinders of the US Department of Transportation (DOT) or the Standard for Cylinders, Spheres and Tubes for the Transportation for Dangerous Goods, CAN/CSA-B339.
- Never use gas cylinder if there is evidence of dents, gouges, bulges, fire damage, erosion, leakage, excessive rust, or other forms of visible external damage. This may be hazardous and cylinder should be taken to a liquid propane supplier to be checked.
- Never attach/disconnect gas cylinder, move or alter gas fittings when unit is in operation.
- Always disconnect gas cylinder from unit when not in use.
- Unit is designed to work with propane gas only. Only use gas cylinders marked propane with this unit.
- This product will **NOT** operate with natural gas.
- When use is complete, always, first turn the burner control valve OFF, then turn the gas cylinder valve OFF, and finally disconnect the cylinder.
- Gas **MUST** be turned off at the supply cylinder when not in use.
- Cylinder **MUST** be stored outdoors, out of children's reach and must **NOT** be stored in a building, garage, or any other enclosed area.
- Do **NOT** store spare LP gas cylinder under or near unit. Gas cylinder safety relief valve may overheat allowing gas to release causing fire which may cause death or serious injury.
- Never fill cylinder over 80% full or cylinder may release gas causing fire which may cause death or serious injury.
- Place a dust cap on cylinder valve outlet whenever cylinder is not in use. Only install dust cap provided with cylinder. Other caps or plugs may cause leaks.
- If you smell, hear or see gas escaping, immediately get away from gas cylinder and call the Fire Department. Fire may cause death or serious injury.
- Reference ignition steps before use.
- Never use lighter fluid with propane.
- Wood chips must be used in order to produce smoke and create the smoke flavor.
- Flame disk bowl/ wood chip tray/bowl is **HOT** when unit is in use. Use caution when adding wood.
- Check grease tray often during cooking. Empty grease tray before it gets full. Grease tray may need to be emptied periodically during cooking.
- Do not open upper smoker door(s) unless necessary. Opening smoker door(s) causes heat to escape, which may cause extended cooking time and may cause wood to flare up. Closing the door(s) will re-stabilize the temperature and stop flare up.
- This is a smoker. There will be a lot of smoke produced when using wood chips. Smoke will escape through seams and turn the inside of smoker black. This is normal. To minimize smoke loss around door(s), door latch(s) can be adjusted to further tighten door seal against body.
- To adjust door latch, loosen hex nut on door latch. Turn hook clockwise to tighten as shown. Secure hex nut firmly against door latch. (see diagram)
- When outside temperature is cooler than 65°F (18°C) and/or altitude is above 3,500 feet (1067m), additional cooking time may be required. To insure that meat is completely cooked use a meat thermometer to test internal temperature.
- Do not use wood pellets.
- Food needs to be in the center of smoking racks. This allows food drippings to go into the water bowl.
- Do not leave old wood or ashes in the flame disk bowl/woodchip tray/bowl. Once ashes are cold, empty bowl/tray. Bowl/tray should be cleaned out prior to, and after each use to prevent ash and residue buildup.
- Dispose of cold ashes by placing them in aluminum foil, soaking with water and discarding in a non-combustible container.
- Do not store unit with **HOT** ashes inside unit.

SAVE THESE INSTRUCTIONS

SMOKER OPERATION - READ & FOLLOW ALL INSTRUCTIONS CAREFULLY

GETTING STARTED

- Pre-season unit prior to first use. See **PRE-SEASON INSTRUCTIONS**.
- Before starting the unit, see **ADDING WOOD CHIPS OR CHUNKS**.

CAUTION - All surfaces are HOT and may cause burns. Use protective gloves or long, sturdy cooking tools when loading/unloading food or racks, and when adding wood chips or water.

PRE-SEASON INSTRUCTIONS

Curing your smoker will rid the unit of chemicals and oils left over by the manufacturing process allowing them to burn off.

PRE-SEASON SMOKER PRIOR TO FIRST USE.

1. Perform soapy water test, see **SOAPY WATER TEST WARNINGS AND PROCEDURES**.
2. Using a napkin or cloth, rub a light coat of cooking oil on smoking racks and inside smoker door. Make sure water pan is in place with **NO WATER**.
3. Fill wood chip tray with up to 1 cup (0.24l) of wood chips or chunks and light smoker. Close door.
4. Start smoker and let the smoker burn for about 1 hour. Make sure temperature gets up to 350°F (177°C).
5. Allow unit to cool **COMPLETELY**.
6. Reapply light coat of cooking oil on smoking racks and inside of smoker door.
7. Restart smoker and burn for 20 minutes.
 - **Cure your smoker periodically to prevent excessive rust.**

ADDING WOOD CHIPS OR CHUNKS

1. You may use dry or pre-soaked wood chips or chunks in your smoker. Dry chips or chunks will burn faster and produce more intense smoke. Chips or chunks pre-soaked in water (for approximately 30 minutes) will burn slower and produce a less intense smoke.
2. **DO NOT ADD MORE THAN 1 CUP (0.24l) OF WOOD CHIPS OR CHUNKS AT A TIME. Never use wood pellets.**
3. Place additional wood chips or chunks in smoker as needed to achieve desired smoke flavor.
 - **Wood chips or chunks must be used in order to produce smoke and create the smoke flavor.**

OPERATING INSTRUCTIONS

1. To start smoker see **IGNITION INSTRUCTIONS**.
2. With protective gloves on, place water bowl in position. Pour 1 inch of water, juice, or vinegar into water bowl. This will add flavor and moisture to food and prevent it from drying out.
3. **DO NOT** cover racks with aluminum foil as this will not allow heat to circulate properly.
4. Pre-heat smoker for 30 to 45 minutes at max temperature before loading food.
5. Place food in the smoker, position on the center of the smoking rack.
6. **DO NOT** overload smoker with food. Extra large amounts of food may trap heat, extend cooking time and cause uneven cooking. Leave space between food on racks and smoker sides to ensure proper heat circulation. If utilizing cooking pans, be sure pans do not cover more than 75% of the rack space and place pans on center of rack to ensure even cooking.
7. For best results, rotate racks between the top and bottom positions during cooking.
8. Adjust smoker settings, control knob and air dampers, to desired cooking temperature.
 - Close all air dampers on unit to retain moisture and heat. If cooking foods such as fish or jerky, open air dampers to release moisture.
9. If wood chips or chunks do not smoke on low setting, increase temperature to 275°. After 8 to 10 minutes or when wood chips or chunks begin to smolder, reduce temperature to desired low setting.
10. Use caution when cooking on windy days to ensure the flame does not blow out. If you suspect or experience a flame blow out, first open the door to check the flame and follow the **IGNITION INSTRUCTIONS** to re-ignite the burner if needed. Adjust the burner control valve setting for a higher flame to prevent further blow outs.
Never ignite smoker with the door closed.
11. Extreme cold temperatures may extend cooking times.
12. Once cooking is complete turn unit OFF, see **IGNITION INSTRUCTIONS** for turning off unit, remove the gas cylinder and then follow **CLEANING and STORING INSTRUCTIONS**. **CLEAN AFTER EVERY USE**. This will extend the life of your smoker and prevent mold and mildew.

CLEANING and STORING INSTRUCTIONS

- **ALWAYS MAKE SURE UNIT IS COOL TO THE TOUCH BEFORE CLEANING AND STORING.**
- Be sure to clean smoker after each use. Make sure the gas cylinder has been turned off and removed.
- For rack supports, racks, water bowl, and drip pan use a mild dish detergent. Rinse and dry thoroughly.
- For woodchip tray clean frequently to remove ash build up, residue and dust.
- Dispose of cold ashes by placing them in aluminum foil, soaking with water and discarding in a non-combustible container.
- For the interior, exterior and door seal of the unit simply wipe down with a damp cloth after each use to keep unit in proper working condition. Do not use a cleaning agent. Make sure to dry thoroughly.
- After cleaning, store smoker in a covered and **DRY AREA**.
- Store only when fire is completely out and all surfaces are cold.
- When not in frequent use and using a cover, remember to check your smoker periodically to avoid possible rust and corrosion due to moisture buildup.

CHECK OUT MASTERBUILT.COM FOR MORE TIPS AND RECIPE VIDEOS.



WARNING



PERFORM “SOAPY WATER TEST” BEFORE EACH USE. SEE “SOAPY WATER TEST” SECTION IN MANUAL. EXTINGUISH ALL OPEN FLAMES BEFORE CONNECTING REGULATOR TO GAS CYLINDER. TURN GAS OFF AFTER EACH USE.

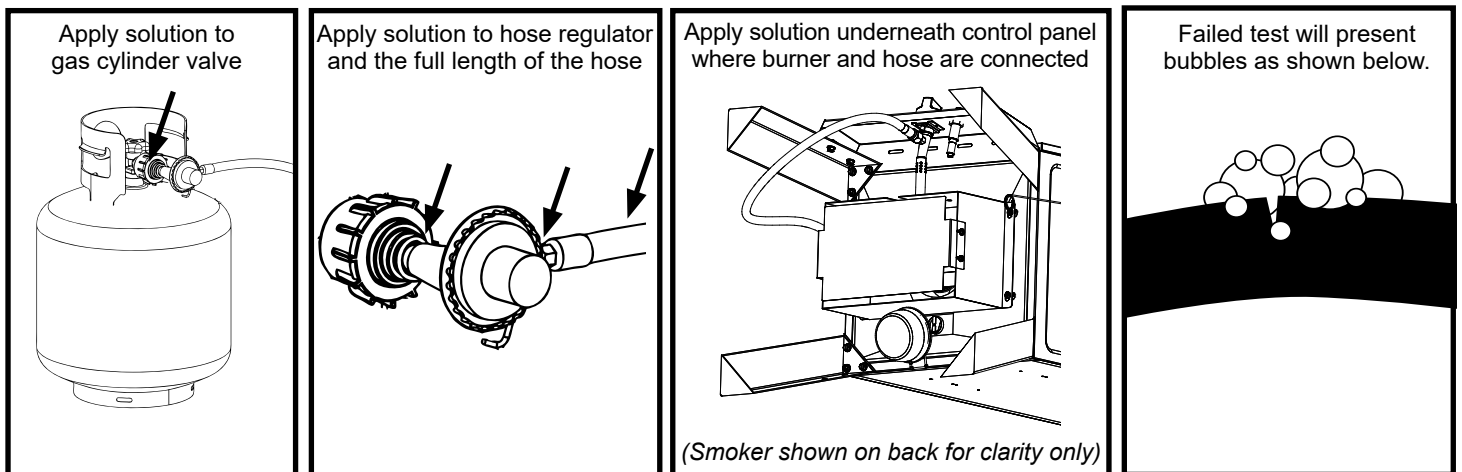
SOAPY WATER TEST WARNINGS & PROCEDURES

WARNINGS

- Soapy Water Test **MUST** be performed each time gas cylinder is connected to burner/hose or each time it is used.
- Soapy Water Test **MUST** be performed outdoors in well ventilated area.
- When performing Soapy Water Test keep unit away from open flames, sparks or lit cigarettes.
- Never use an open flame to test for gas leaks.

PREPARATION:

- Remove any cookware and accessories from unit.
- Make sure gas cylinder valve and burner control knob are turned to the OFF position.
- Prepare soapy water solution: (1) part dish washing liquid (or more if desired), (3) parts water.
- Apply soapy water solution to gas cylinder valve, regulator and hose length up to burner control valve.



TESTING GAS CYLINDER VALVE:

- Turn gas cylinder valve ON and watch for bubbles. **DO NOT LEAVE GAS ON MORE THAN 12 SECONDS.** If bubbles appear, stop, turn gas cylinder valve OFF and retighten fitting. Repeat test.

TESTING REGULATOR AND HOSE:

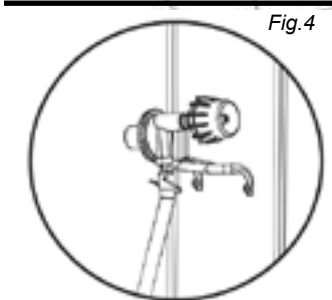
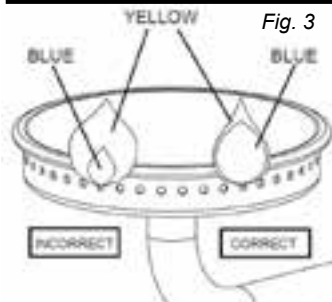
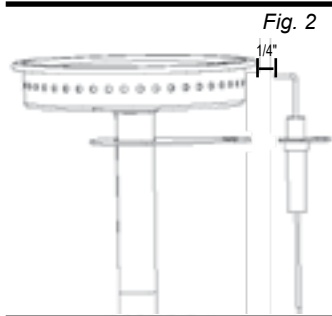
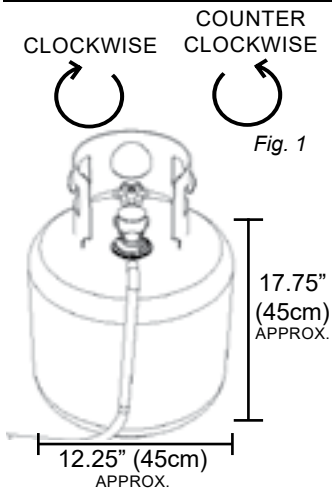
- **AFTER** gas cylinder valve has passed Soapy Water Test, turn gas cylinder valve ON and check for bubbles at regulator location, along full length of hose and at burner control valve. **DO NOT LEAVE GAS ON MORE THAN 12 SECONDS.** If bubbles appear, stop, turn gas cylinder valve OFF and retighten the connection that is leaking gas. If hose is source of leak, **STOP**, do not use unit. Hose must be replaced.
- **WHEN TEST IS COMPLETE, AND THERE ARE NO LEAKS, WAIT MINIMUM OF 5 MINUTES FOR GAS FUMES TO DIMINISH BEFORE LIGHTING SMOKER.**

DURING ANY PORTION OF SOAPY WATER TEST IF BUBBLES CONTINUE TO APPEAR, STOP, DO NOT USE UNIT. CONTACT LOCAL PROPANE DEALER OR MASTERBUILT CUSTOMER SERVICE AT 1-800-489-1581.

Note: Use 20LB (9kgs) gas cylinder that has a protective collar with this unit. Cylinder NOT included with this unit.

IGNITION INSTRUCTIONS

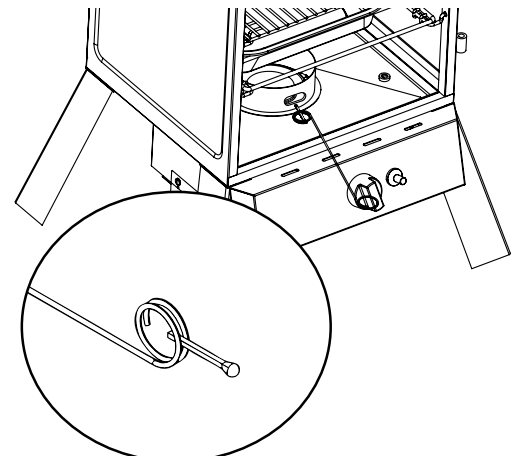
REGULATOR, BURNER AND GAS VALVE CONNECTION & OPERATION



- Inspect hose before each use. If there are signs of abrasion, wear, cuts, or leaks, the hose must be replaced. **DO NOT USE.**
- Inspect burner before each use. Check burner and burner venturi tube for insects and insect nests. A clogged tube can lead to a fire beneath unit.
- Check to ensure the orifice is centered inside the venturi tube. Failure to properly assemble the valve orifice to the venturi tube can result in gas leak or potential fire at connection. See assembly steps for proper assembly method.
- Check to ensure the igniter pin is properly spaced and aligned to the burner. Igniter pin should be approximately 1/4" from the burner and aligned to the top of a burner port (Fig. 2). Confirm spacing is correct by pressing the igniter button and ensuring spark occurs between igniter pin and burner.
- Connect hose regulator to LP Gas Cylinder (Fig. 1)
 1. Make sure gas cylinder valve is closed. Turn valve clockwise until it stops.
 2. Make sure burner control knob on smoker is in the OFF position.
 3. Remove protective cap from gas cylinder and coupling nut if applicable.
 4. Center and insert regulator nipple into valve outlet on gas cylinder as shown in figure on the left. Turn regulator coupling nut clockwise until it stops. **DO NOT OVER TIGHTEN.**
- Perform Soapy Water Test.
- Before starting lighting procedure make sure the smoker door(s) are open.
- When lighting burner remove all parts inside or on unit to prevent explosion from gas build up.
- To use, turn gas cylinder valve ON, push burner control knob in and turn counter-clockwise 1/4 turn to HIGH setting. Push ignitor button to light.
- If ignition does not take place within five seconds, turn burner control knob to OFF position and wait five minutes and repeat lighting procedures. If ignition still does not occur, see match light instructions.
- Always ensure that smoker door(s) are open before igniting. Gas can accumulate in smoker.
- If flame goes out during cooking, turn burner control knob OFF, turn gas cylinder valve OFF, wait 5 minutes, then open door(s) and wait 5 additional minutes before repeating ignition instructions above.
- Burner control knob adjusts burner flame. Turn knob counterclockwise to decrease flame. Turn knob clockwise **SLOWLY** to increase flame. Push burner control knob in and turn clockwise to shut flame off.
- Visually check burner flame (Fig. 3). A **CORRECT FLAME** should be blue with a small amount of yellow at the tip. An **INCORRECT FLAME** is excessively yellow and irregular. If an incorrect flame occurs, turn burner control knob to OFF position, turn OFF gas cylinder valve. If an incorrect flame still occurs allow unit to cool and then clean burner. Let burner completely dry before re-lighting.
- After use turn burner control knob OFF, then turn gas cylinder valve OFF and disconnect tank.
- Type 1 Regulators will have a hook (Fig. 4). The Regulator Hook is used to keep the regulator off the ground when removed from the LP cylinder. Attach to unit as shown in image.

MATCH LIGHT INSTRUCTIONS

1. Read all instructions and warnings before lighting.
2. Check burner control knob and gas cylinder valve to be certain it is in OFF position before connecting to gas cylinder.
3. Perform soapy water test before each use.
4. Open door(s) during lighting and/or remove all accessories and cooking vessels from in/or on unit.
5. Turn gas cylinder valve on, then turn burner control knob on.
6. Place a long, lit fireplace match stick close enough to burner to ignite.
7. If ignition does not take place within five seconds, turn burner control knob to OFF position and wait five minutes and repeat match light instructions.
8. After each use, first turn burner control knob off, then gas cylinder valve off. Always allow unit to cool completely before touching, moving or storing.





WARNING

In the event of a gas leak that cannot be stopped, or if a fire occurs due to a gas leak, contact the fire department.

Emergency	Cause	Possible Solution
Gas leaking from cracked, cut or burned hose	Damaged hose	Turn off gas at LP cylinder.
		Replace hose.
		Contact Masterbuilt at 1.800.489.1581.
Gas leaking from LP cylinder	Failure due to rust or mishandled equipment	Replace LP cylinder.
Gas leaking from gas cylinder valve	Failure of valve due to rust, mechanical failure or mishandled equipment	Turn off gas cylinder valve and return cylinder to gas provider/supplier.
Gas leaking between LP cylinder and regulator connection	Improper installation, connection not tight enough, damaged threads or bad rubber seal	Turn off gas cylinder valve, then re-attach regulator to cylinder.
		Turn off gas cylinder valve and return cylinder to gas provider/supplier.
		Visually inspect rubber seal for damage.
Fire under control panel	Fire in tube of burner due to burner blockage	Turn off both burner control knob and gas cylinder valve. Once the fire is out and burner has cooled, remove and inspect burner for spiders, nests, rust or other debris.
Grease fire or excessive/continuous flame	Grease build up on or around burner area	Turn off both burner control knob and gas cylinder valve. Allow flames to extinguish and time for unit to cool down. Clean grease/food particles from/around burner or burner area and surrounding surfaces.

TROUBLESHOOTING GUIDE

Symptom	Cause	Possible Solution
Low flame output*	Out of fuel	Refill or replace with full LP cylinder.
Flames blow out*	Low on LP gas	Refill LP cylinder.
Flare-up	Excessive grease buildup	Clean burner and inside unit.
	Excessive fat on meat	Trim fat off of meat.
	Cooking temperature too high	Adjust or lower temperature accordingly.
Persistent grease fire	Grease trapped by food buildup around burner system	Turn burner control knob and gas cylinder valve off. Allow fire to extinguish and the unit to cool down. Once cool, remove and clean parts.
Flashback (fire in burner tube)	Burner and/or burner tube has blockage	Turn burner control knob and gas cylinder valve off. Clean burner and/or burner tube.
Slower than expected cooking times*	Valve not properly aligned to burner	Check to see if valve is centered in burner tube.

* Also see Troubleshooting solutions: "Causes" Low or No Flow/Vapor lock/Excess flow below.

TROUBLESHOOTING SOLUTIONS: "CAUSES" LOW OR NO FLOW/VAPOR LOCK/EXCESS FLOW

Symptom	Cause	Possible Solution
Burner doesn't light after pressing ignitor button	Low/no gas flow	<ol style="list-style-type: none"> Turn burner control knob to "Off" position. Turn gas cylinder valve knob to OFF. Disconnect regulator from cylinder to relieve vapor lock. Reconnect regulator to cylinder by hand turning until tight. Slightly open the gas cylinder valve slowly and then open further by turning 1 full turn. You are now ready to light the smoker. Turn the burner control knob to high and light with ignitor.
	Vapor lock at coupling nut to LP cylinder	
Low flame output	Excess flow valve tripped	
	Vapor lock at coupling nut/ LP cylinder connection	
Flames blow out	Excess flow valve tripped	
Slower than expected cooking times	Vapor lock	

! RISQUE LIÉ AU MONOXYDE DE CARBONE !

La combustion de copeaux de bois produit du monoxyde de carbone, qui n'a pas d'odeur et peut causer la mort.

NE brûlez PAS de copeaux de bois à l'intérieur des maisons, des véhicules, des tentes, des garages ou de tout endroit fermé.

NE L'UTILISEZ QU'À L'EXTÉRIEUR dans un endroit bien ventilé.

! DANGER !

SI VOUS SENTEZ DU GAZ :

1. Fermez l'arrivée de gaz à l'appareil.
2. Éteignez toute flamme nue.
3. Ouvrez/enlevez la porte.
4. Si l'odeur persiste, tenez-vous à l'écart de l'appareil et appelez immédiatement votre fournisseur de gaz ou votre service d'incendie.

! AVERTISSEMENT !

Ce manuel contient de l'information importante nécessaire pour un assemblage approprié et l'utilisation sûre de l'appareil.

Veuillez lire et vous conformer à tous les avertissements et suivre toutes les instructions avant d'assembler et d'utiliser l'appareil.

Conformez-vous à tous les avertissements et suivez toutes les instructions lorsque vous vous servez de l'appareil.

Conservez ce manuel pour référence.

! À défaut de suivre ces instructions, un incendie, une explosion ou des brûlures pourraient survenir, entraînant des dommages matériels ou des blessures, voire la mort. !

! DANGER !

1. Ne faites jamais fonctionner cet appareil sans surveillance.
2. Ne faites jamais fonctionner cet appareil à moins de 3 m (10 pi) de toute structure, matière combustible ou d'une autre bonbonne de gaz.
3. Ne faites jamais fonctionner cet appareil à moins de 25 pieds (7,5 m) de tout liquide inflammable.
4. Si un incendie se déclare, éloignez-vous de l'appareil et appelez immédiatement votre service d'incendie. Ne tentez pas d'éteindre un feu de graisse ou d'huile avec de l'eau.

! AVERTISSEMENT !

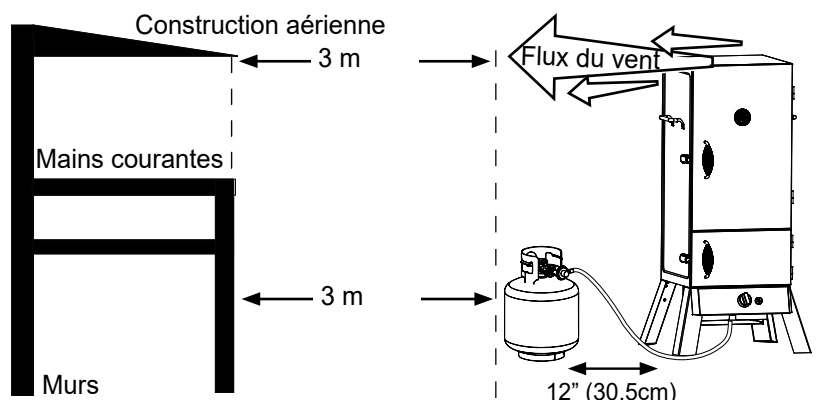
PROPOSITION 65 DE L'ÉTAT DE CALIFORNIE

1. LES sous-produits de combustion produits lors de l'utilisation de ce produit contiennent des substances chimiques reconnues par l'État de Californie comme causant le cancer, des anomalies congénitales et d'autres anomalies de la reproduction.
2. Ce produit contient des substances chimiques reconnues par l'État de Californie comme causant le cancer, des anomalies congénitales et d'autres anomalies de la reproduction.

RECOMMANDATIONS CONCERNANT LA PROXIMITÉ STRUCTURELLE ET L'UTILISATION SÉCURITAIRE

Avant d'utiliser le fumoir vérifiez la direction du vent et placez la bonbonne à 30.5 cm EN AMONT DU VENT et en position debout. Cela fait en sorte que le système d'approvisionnement de la bonbonne est placé pour que les vapeurs s'éliminent et évite que la bonbonne ne frappe l'appareil si elle bascule.

! AVERTISSEMENT : LE TUYAU PEUT VOUS FAIRE TRÉBUCHER, CE QUI POURRAIT FAIRE BASCULER LA BONBONNE !





AVERTISSEMENTS GÉNÉRAUX ET RENSEIGNEMENTS CONCERNANT LA SÉCURITÉ



LISEZ TOUTES LES INSTRUCTIONS

- Veuillez toujours utiliser cet appareil conformément aux lois sur la prévention des incendies locales, provinciales et fédérales en vigueur.
- Vérifiez tous les écrous, vis et boulons avant chaque utilisation afin de vous assurer qu'ils sont bien serrés.
- Ne faites jamais chauffer l'appareil sous une construction aérienne comme une toiture, un abri d'auto, un auvent ou un avant-toit.
- Appareil pour UTILISATION À L'EXTÉRIEUR DU MÉNAGE SEULEMENT.
- Ne l'utilisez jamais à l'intérieur, dans des endroits clos comme les patios, garages, bâtiments ou tentes.
- N'utilisez jamais l'appareil à l'intérieur ou dans un véhicule récréatif ou un bateau.
- Maintenez une distance minimale de 3 m (10 pi) à partir de tout élément de construction aérien, des murs ou des mains courantes.
- Maintenez un dégagement minimal de 3 m (10 pi) de tout matériau combustible comme le bois, les plantes sèches, l'herbe, les broussailles, le papier ou les toiles.
- N'utilisez jamais l'appareil pour autre chose que son utilisation prévue. Cet appareil N'EST PAS destiné à un usage commercial.
- Les accessoires qui ne sont pas fournis par Masterbuilt Manufacturing, LLC ne sont PAS recommandés et pourraient causer des blessures.
- L'usage d'alcool ou de médicaments vendus avec ou sans ordonnance pourrait compromettre la capacité de l'utilisateur à correctement assembler ou à faire fonctionner l'appareil en toute sécurité.
- Gardez un extincteur à portée de main en tout temps pendant que l'appareil chauffe.
- Lorsque vous cuisez des aliments avec de l'huile ou du gras, ayez un extincteur de type BC ou ABC à portée de main.
- En cas de feu d'huile ou de graisse, ne tentez pas de l'éteindre avec de l'eau. Appelez immédiatement le service d'incendie. Un extincteur de type BC ou ABC pourrait, en certaines circonstances, contenir l'incendie.
- Utilisez l'appareil sur une surface plane, non combustible et stable comme le sol, le béton, la brique ou la pierre. Une surface asphaltée peut ne pas convenir dans ce but.
- L'appareil DOIT être au sol. Ne placez pas l'appareil sur une table ou sur un comptoir. Ne déplacez pas l'appareil sur des surfaces accidentées.
- N'utilisez pas cet appareil sur une surface en bois ou inflammable.
- Gardez l'unité à distance de tout matériau combustible comme l'essence et les autres gaz et liquides inflammables.
- Ne laissez pas l'appareil sans surveillance.
- Gardez les enfants et animaux de compagnie à distance de l'appareil en tout temps. Ne permettez pas aux enfants d'utiliser cet appareil. Une surveillance attentive est nécessaire si des enfants ou des animaux de compagnie sont présents dans la zone où l'appareil est utilisé.
- Ne laissez personne faire des activités à proximité de l'appareil pendant qu'il chauffe ou avant qu'il n'ait refroidi.
- N'utilisez jamais d'ustensiles de cuisson en verre, en plastique ou en céramique dans l'appareil. Ne mettez jamais un ustensile de cuisson vide dans l'appareil pendant qu'il chauffe.
- Ne déplacez jamais l'appareil pendant qu'il chauffe. Laissez l'appareil refroidir complètement [en dessous de 45 °C (115 °F)] avant de le déplacer ou de le ranger.
- Rangez-le seulement lorsque le feu est complètement éteint et que toutes les surfaces sont froides.
- N'utilisez jamais l'appareil comme appareil de chauffage (LISEZ LA RUBRIQUE SUR LE RISQUE LIÉ AU MONOXYDE DE CARBONE).
- L'appareil est CHAUD pendant son utilisation et restera CHAUD pendant un certain temps au cours de la période de refroidissement. Faites ATTENTION. Portez des gants ou mitaines de protection.
- Procédez avec prudence quand vous enlevez des aliments de l'appareil. Toutes les surfaces sont CHAUDES et pourraient causer des brûlures. Utilisez des mitaines/gants protecteurs ou des ustensiles de cuisine robustes à manche long pour vous protéger des surfaces chaudes ou des éclaboussures provenant des liquides de cuisson.
- ÉVITEZ de heurter ou de bousculer l'appareil, car cela pourrait causer des blessures, endommager l'appareil ou renverser des liquides de cuisson chauds.
- Ne touchez pas les surfaces CHAUDES
- L'appareil est chaud lorsqu'il est en marche. Pour éviter les brûlures, tenez votre visage et votre corps à distance de la porte, du couvercle et des événements. Des vapeurs et de l'air chaud sont expulsés pendant l'utilisation.
- Les entrées d'air sont CHAUDES pendant l'utilisation de l'appareil et la période de refroidissement; portez des gants de protection pour les régler.
- Cet appareil a une flamme nue. Gardez vos mains, vos cheveux et votre visage à l'écart de la flamme du brûleur. Ne vous penchez pas au-dessus de l'appareil pour l'allumer. Vos cheveux et vos vêtements pourraient s'enflammer.
- N'obstruez pas le flux de la combustion et de la ventilation.
- Ne recouvrez pas les tablettes avec une feuille métallique. Cela emprisonnerait la chaleur et pourrait endommager l'appareil.
- L'installation de l'appareil doit respecter la réglementation locale et, en l'absence d'une telle réglementation, doit respecter le National Fuel Gas Code, ANSI Z223.1/NFPA 54, Storage and Handling of Liquefied Petroleum Gases, ANSI/NFPA 58, la norme CSA B149.1 : Code d'installation du gaz naturel la norme CSA B149.2 : Entreposage et maintenance du gaz propane, ou la norme Standard for Recreational Vehicles, ANSI A119.2/NFPA 1192 et la norme CSA Z240 intitulée Véhicules de camping, si applicables.

AVERTISSEMENTS ET MISES EN GARDE IMPORTANTES (SUITE À LA PAGE 11)



AVERTISSEMENTS GÉNÉRAUX ET RENSEIGNEMENTS CONCERNANT LA SÉCURITÉ



AVERTISSEMENTS ET MISES EN GARDE IMPORTANTES (SUITE DE LA PAGE 10)

- Inspectez le tuyau de gaz à la recherche de dommages avant chaque utilisation.
- Gardez le tuyau d'arrivée de carburant à l'écart de toute surface chaude.
- Maintenez le tuyau d'arrivée de carburant à l'écart de l'appareil pendant qu'il fonctionne.
- Vous DEVEZ utiliser le tuyau et le régulateur fournis avec l'appareil. Pour des pièces de remplacement, communiquez avec le service à la clientèle de MASTERBUILT au 1-800-489-1581.
- Utilisez des bonbonnes de gaz de 9 kg (20 lb) munis d'un collet protecteur (la bonbonne n'est pas fournie avec l'appareil).
- Gardez les ouvertures de ventilation de l'enceinte de la bonbonne bien ouvertes et libres de tout débris.
- La bonbonne de gaz propane utilisée doit être fabriquée et marquée conformément aux spécifications du DÉPARTEMENT DES TRANSPORTS des États-Unis (DOT) pour les bonbonnes de gaz propane ou à la norme nationale CAN/CSA B339 de Transport Canada relative aux bouteilles, sphères et tuyaux pour le transport des marchandises dangereuses.
- N'utilisez jamais une bonbonne de gaz si elle présente des creux, entailles, renflements, dommages dus à la chaleur, signes d'érosion, de fuites, rouille excessive ou toute autre forme de dommage externe. Cela pourrait être dangereux, et la bonbonne devrait être apportée chez un fournisseur de propane liquide pour être inspectée.
- Ne branchez/débranchez jamais la bonbonne de gaz et ne déplacez ou modifiez jamais les montages d'installation de gaz pendant que l'appareil fonctionne.
- Débranchez toujours la bonbonne de gaz de l'appareil lorsque vous ne l'utilisez pas.
- L'appareil est conçu pour fonctionner au propane seulement. N'utilisez que les bouteilles de gaz marquées « propane » avec cet appareil.
- Cet appareil ne fonctionne PAS au gaz naturel.
- Lorsque vous avez terminé de vous en servir, fermez d'abord toujours le bouton de contrôle du brûleur (OFF) puis fermez le robinet de la bonbonne de gaz (OFF) et enfin débranchez la bonbonne.
- La sortie de gaz DOIT être fermée sur la bonbonne de gaz lorsque vous ne l'utilisez pas.
- La bonbonne DOIT être entreposée à l'extérieur, hors de l'atteinte des enfants et ne doit PAS être entreposée dans un bâtiment, un garage ou tout autre endroit clos.
- Ne conservez PAS les bonbonnes de réserve en dessous ou près de l'appareil. La valve de sûreté de la bonbonne de gaz pourrait surchauffer, ce qui permettrait au gaz de s'échapper et de provoquer un incendie qui pourrait entraîner la mort ou des blessures graves.
- Ne remplissez jamais la bonbonne à plus de 80 % de sa capacité au risque de provoquer un incendie qui pourrait entraîner la mort ou des blessures graves.
- Mettez toujours un bouchon antipoussières sur le robinet de la bonbonne lorsqu'elle n'est pas utilisée. N'utilisez que le bouchon fourni avec la bonbonne. D'autres bouchons ou couvercles pourraient provoquer des fuites.
- Si vous sentez, entendez ou voyez du gaz s'échapper, éloignez-vous immédiatement de la bonbonne de gaz et appelez le service d'incendie. Le feu peut entraîner la mort ou des blessures graves.
- Consultez les étapes du processus d'allumage avant d'utiliser l'appareil.
- N'utilisez jamais d'essence à briquet avec du propane.
- Vous devez utiliser des copeaux de bois pour produire de la fumée et donner une saveur de fumée.
- La pochette du chargeur à copeaux de bois, le bac à copeaux et le bol sont CHAUDS lorsque l'appareil fonctionne. Soyez prudent quand vous ajoutez du bois.
- Examinez souvent le plateau à graisse pendant la cuisson. Videz le plateau à graisse avant qu'il ne soit plein. Le plateau à graisse peut devoir être vidé périodiquement en cours de cuisson.
- N'ouvrez pas inutilement la/les porte(s) du fumoir. L'ouverture de la/les porte(s) du fumoir permet à la chaleur de s'échapper, ce qui pourrait prolonger le temps de cuisson; en outre, le bois pourrait s'embraser. La fermeture de la/les porte(s) stabilisera la température et éteindra les flammes.
- Ceci est un fumoir. L'utilisation de copeaux de bois produira beaucoup de fumée. La fumée s'échappera par les joints et noircira l'intérieur du fumoir. C'est normal. Pour minimiser la perte de fumée autour de la/les porte(s), les loquets peuvent être ajustés pour resserrer les joints de porte au corps de l'appareil.
- Pour ajuster le loquet de porte, desserrez l'écrou hexagonal sur le loquet. Tournez le crochet dans le sens horaire pour le serrer tel que montré. Fixez solidement l'écrou hexagonal sur le loquet de la porte. (voir le schéma)
- La cuisson peut exiger plus de temps lorsque la température extérieure est inférieure à 18 °C (65 °F) ou à une altitude supérieure à 1067 m (3 500 pi). Utilisez un thermomètre à viande pour vous assurer qu'elle est complètement cuite.
- N'utilisez pas de granules de bois.
- Les aliments doivent être placés au centre des étagères du fumoir. Cela permet aux graisses de s'égoutter dans le bol d'eau.
- Ne laissez pas de vieux bois ou de cendres dans la pochette du chargeur à copeaux de bois, le bac à copeaux ou le bol. Une fois les cendres refroidies, videz le bol ou le bac. Le bol et le bac doivent être nettoyés avant et après chaque utilisation pour éviter une accumulation de cendres et de résidus.
- Disposez des cendres froides en les mettant dans une feuille d'aluminium, les mouillant complètement avec de l'eau et les jetant dans un contenant non combustible.
- Ne rangez pas l'appareil tant qu'il contient encore des cendres CHAUDES.

CONSERVEZ CES INSTRUCTIONS

FONCTIONNEMENT DU FUMOIR - LISEZ ET SUIVEZ ATTENTIVEMENT TOUTES LES INSTRUCTIONS

POUR COMMENCER

- Préparez votre fumoir avant sa première utilisation. Consultez les **INSTRUCTIONS DE PRÉPARATION**.
- Avant d'allumer l'appareil, consultez **AJOUT DE COPEAUX DE BOIS OU DE MORCEAUX**.

ATTENTION : toutes les surfaces sont CHAUDES et pourraient causer des brûlures. Utilisez des gants de protection ou des outils de cuisson longs et solides lorsque vous chargez/déchargez les grilles ou la nourriture et lorsque vous ajoutez des copeaux ou de l'eau.

INSTRUCTIONS DE PRÉPARATION

La préparation de votre fumoir le débarrassera des produits chimiques et huiles laissées au cours du procédé de fabrication en leur permettant de brûler. **PRÉPAREZ VOTRE FUMOIR AVANT SA PREMIÈRE UTILISATION.**

1. Faites un test à l'eau savonneuse, consultez **TEST À L'EAU SAVONNEUSE; AVERTISSEMENTS ET PROCÉDURES**.
2. À l'aide d'un essuie-tout ou d'un chiffon, frottez les grilles et l'intérieur des portes avec de l'huile à cuisson. Assurez-vous que la cuvette d'eau est en place et NE CONTIENT PAS D'EAU.
3. Remplissez le bac à copeaux avec 237 ml (1 tasse) de copeaux de bois ou de morceaux et allumez le fumoir. Fermez la porte.
4. Allumez le fumoir et laissez-le fonctionner pendant environ une heure. Assurez-vous que la température atteint 177 °C (350 °F).
5. Laissez l'appareil refroidir complètement.
6. Appliquez une autre couche d'huile à cuisson sur les grilles et sur l'intérieur de la porte du fumoir.
7. Redémarrez le fumoir et laissez-le chauffer pendant 20 minutes.
 - **Traitez ainsi périodiquement votre fumoir pour prévenir une corrosion excessive.**

AJOUT DE COPEAUX DE BOIS OU DE MORCEAUX

1. Vous pouvez utiliser des copeaux de bois ou de morceaux secs ou trempés dans votre fumoir. Les copeaux secs brûlent plus rapidement et produisent une fumée plus intense. Les copeaux ou de morceaux trempés dans de l'eau (pendant approximativement 30 minutes) brûlent plus lentement et produisent une fumée moins intense.
2. **N'UTILISEZ JAMAIS PLUS DE 237 ML (1 TASSE) DE COPEAUX DE BOIS OU DE MORCEAUX À LA FOIS. N'utilisez jamais de granules de bois.**
3. Ajoutez d'autres copeaux de bois ou de morceaux dans le fumoir selon les besoins pour obtenir la saveur de fumée désirée.
 - **Vous devez utiliser des copeaux de bois ou de morceaux pour produire de la fumée et donner une saveur de fumée.**

INSTRUCTIONS

1. Pour allumer le fumoir, consultez **INSTRUCTIONS POUR L'ALLUMAGE**.
2. Enfilez des gants de protection et mettez la cuvette d'eau en place. Versez 2,5 cm (1 po) d'eau, de jus ou de vinaigre dans la cuvette d'eau. Cela ajoutera de la saveur et de l'humidité aux aliments et empêchera qu'ils se dessèchent.
3. Ne couvrez PAS les étagères avec une feuille d'aluminium, car cela empêchera la chaleur de circuler correctement.
4. Préchauffez le fumoir pendant 30 à 45 minutes à la température maximale avant d'y mettre les aliments.
5. Placez les aliments dans le fumoir, au centre des étagères.
6. NE surchargez PAS le fumoir avec de la nourriture. De trop grandes quantités de nourriture pourraient emprisonner la chaleur, prolonger le temps de cuisson et produire une cuisson inégale. Si vous utilisez des plats à cuisson, assurez-vous que ces plats ne couvrent pas plus que 75 % de la surface de l'étagère et mettez les plats au centre de l'étagère pour garantir une cuisson uniforme.
7. Pour de meilleurs résultats, faites alterner les étagères entre le haut et le bas pendant la cuisson.
8. Ajustez les réglages du fumoir, le bouton de contrôle et les entrées d'air pour obtenir la température de cuisson désirée.
 - Fermez toutes les entrées d'air pour garder la chaleur et l'humidité à l'intérieur de l'appareil. Si vous faites cuire des aliments comme du poisson ou de la viande séchée, ouvrez les entrées d'air afin d'évacuer l'humidité.
9. Si les copeaux de bois ou de morceaux ne fument pas à basse température, augmentez la température à 275 ° (527 °F). Après 8 à 10 minutes ou lorsque les copeaux de bois ou de morceaux commencent à fumer, réduisez la température au réglage désiré.
10. Faites preuve de prudence lorsque vous cuisinez les jours venteux afin de vous assurer que la flamme ne s'éteint pas. Si vous soupçonnez ou savez que la flamme s'est éteinte, ouvrez d'abord la porte pour vous en assurer, puis suivez les **INSTRUCTIONS POUR L'ALLUMAGE** pour rallumer le brûleur au besoin. Ajustez le bouton de contrôle du brûleur pour obtenir une plus grande flamme afin d'empêcher qu'elle s'éteigne à nouveau. N'allumez jamais un fumoir dont la porte est fermée.
11. Des températures extrêmement froides peuvent prolonger le temps de cuisson.
12. Une fois la cuisson terminée, éteignez l'appareil en suivant les **INSTRUCTIONS POUR L'ALLUMAGE**, enlevez la bonbonne gaz puis suivez les **INSTRUCTIONS POUR LE NETTOYAGE ET L'ENTREPOSAGE**. NETTOYEZ APRÈS CHAQUE UTILISATION. Cela prolongera la durée de vie de votre fumoir et empêchera les moisissures de se former.

INSTRUCTIONS POUR LE NETTOYAGE ET L'ENTREPOSAGE

- **VEUILLEZ TOUJOURS VOUS ASSURER QUE L'APPAREIL EST FRAIS AU TOUCHER AVANT DE LE NETTOYER ET DE LE RANGER.**
- Assurez-vous de nettoyer le fumoir après chaque utilisation. Assurez-vous que la bonbonne de gaz a été fermée et enlevée.
- Utilisez un détergent à vaisselle doux pour les étagères, grilles, supports, le bac à eau et le plateau d'égouttement. Rincez et asséchez avec soin.
- Nettoyer fréquemment le bac à copeaux pour enlever les cendres, les résidus et la poussière.
- Disposez des cendres froides en les mettant dans une feuille d'aluminium, les mouillant complètement avec de l'eau et les jetant dans un contenant non combustible.
- Pour garder l'appareil en bon état de fonctionnement, essuyez simplement l'intérieur, l'extérieur et les joints de porte après chaque utilisation avec un linge humide. N'utilisez pas un agent de nettoyage. Assurez-vous de bien assécher l'appareil.
- Après l'avoir nettoyé, rangez l'appareil dans un ENDROIT SEC.
- Rangez-le seulement lorsque le feu est complètement éteint et que toutes les surfaces sont froides.
- Lorsque vous ne vous en servez pas souvent et le couvrez, rappelez-vous de vérifier votre fumoir périodiquement afin d'éviter la rouille et la corrosion dues à l'accumulation d'humidité.

RENDEZ-VOUS SUR LE SITE WEB DE MASTERBUILT POUR OBTENIR D'AUTRES CONSEILS ET DES VIDÉOS DE RECETTE.



AVERTISSEMENT



FAITES UN TEST À L'EAU SAVONNEUSE AVANT CHAQUE UTILISATION. VOYEZ LA SECTION « TEST À L'EAU SAVONNEUSE » DE CE MANUEL. ÉTEIGNEZ TOUTES LES FLAMMES NUES AVANT DE BRANCHER LE RÉGULATEUR À LA BONBONNE DE GAZ. FERMEZ L'ARRIVÉE DE GAZ APRÈS CHAQUE UTILISATION.

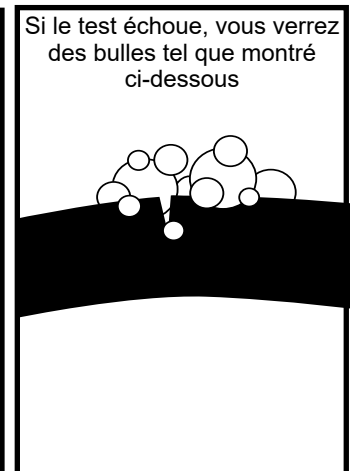
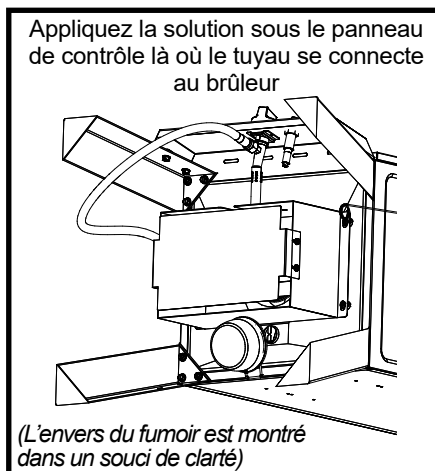
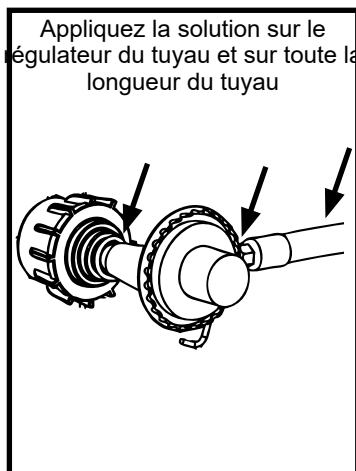
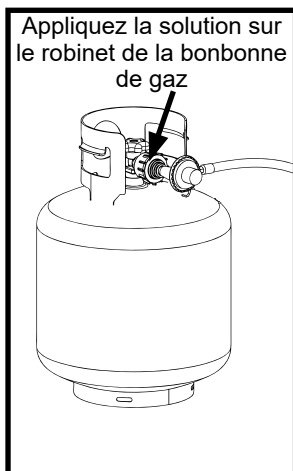
TEST À L'EAU SAVONNEUSE : AVERTISSEMENTS ET PROCÉDURES

AVERTISSEMENT

- Le test à l'eau savonneuse DOIT être fait chaque fois qu'une bonbonne de gaz est connectée à l'appareil ou chaque fois qu'on s'en sert.
- Les tests à l'eau savonneuse DOIVENT être effectués à l'extérieur dans un endroit bien ventilé.
- Tenez l'appareil à distance des flammes nues, des étincelles ou des cigarettes allumées lorsque vous effectuez un test à l'eau savonneuse.
- N'utilisez jamais une flamme nue pour tester les fuites de gaz.

PRÉPARATION :

- Retirez tout ustensile ou accessoire de l'appareil.
- Assurez-vous que le robinet de la bonbonne de gaz et le bouton de contrôle du brûleur sont en position OFF.
- Préparez une solution d'eau savonneuse : 1 partie de liquide vaisselle (ou plus si désiré) et 3 parties d'eau.
- Appliquez la solution d'eau savonneuse sur le robinet de la bonbonne de gaz, le régulateur et toute la longueur du tuyau jusqu'au bouton de contrôle du brûleur.



TEST DU ROBINET DE LA BONBONNE DE GAZ :

- Tournez la valve de la bonbonne de gaz à ON et surveillez l'apparition de bulles. NE LAISSEZ PAS LA VALVE OUVERTE PLUS DE 12 SECONDES. Si des bulles apparaissent, arrêtez, tournez le robinet de la bonbonne de gaz à OFF et resserrez les joints. Répétez le test.

TEST DU RÉGULATEUR ET DU TUYAU :

- APRÈS avoir testé le robinet de la bonbonne de gaz à l'eau savonneuse avec succès, tournez le robinet de la bonbonne de gaz à ON et vérifiez l'apparition de bulles près du régulateur, tout le long du tuyau et au bouton de contrôle du brûleur. NE LAISSEZ PAS LA VALVE OUVERTE PLUS DE 12 SECONDES. Si des bulles apparaissent, arrêtez, tournez le robinet de la bonbonne de gaz à OFF et resserrez la connexion où se situe la fuite. Si la source de la fuite est le tuyau, ARRÊTEZ et n'utilisez pas l'appareil. Le tuyau doit être remplacé.
- LORSQUE LE TEST EST TERMINÉ ET QU'IL N'Y A AUCUNE FUITE, ATTENDEZ AU MOINS 5 MINUTES POUR QUE LES ÉMANATIONS DE GAZ DIMINUENT AVANT D'ALLUMER LE FUMOIR.

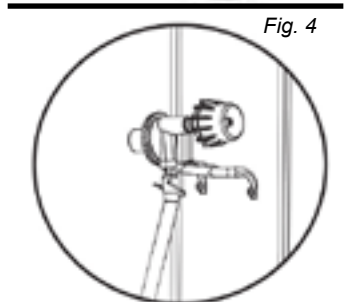
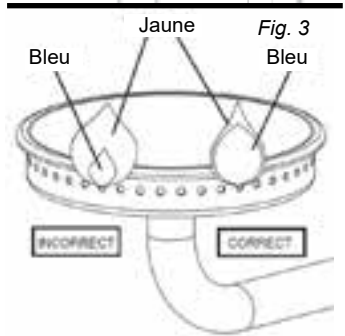
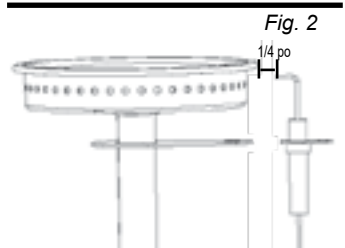
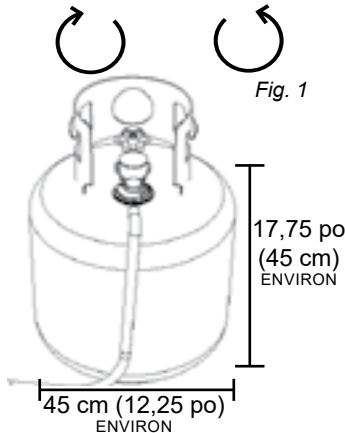
SI DES BULLES CONTINUENT D'APPARAÎTRE À TOUT MOMENT PENDANT LE TEST À L'EAU SAVONNEUSE, ARRÊTEZ, N'UTILISEZ PAS L'APPAREIL. CONTACTEZ VOTRE MARCHAND DE PROPANE LOCAL OU LE SERVICE À LA CLIENTÈLE DE MASTERBUILT au 1-800-489-1581.

Utilisez une bonbonne de gaz de 9 kg (20 lb) munie d'un collet protecteur avec cet appareil. La bonbonne n'est PAS incluse avec cet appareil.

INSTRUCTIONS POUR L'ALLUMAGE

RACCORDEMENT ET FONCTIONNEMENT DU RÉGULATEUR, DU BRÛLEUR ET DU ROBINET DE GAZ

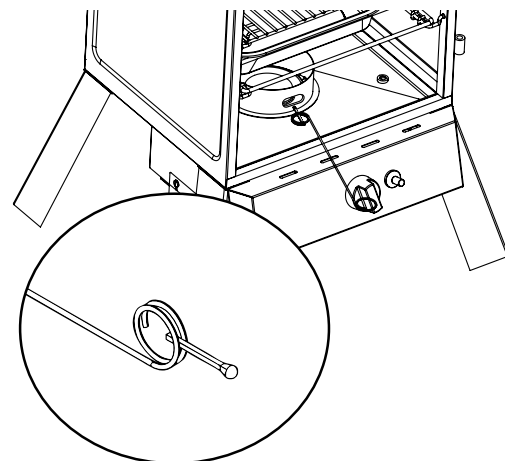
SENS HORAIRE SENS ANTIHORAIRE



- Inspectez le tuyau avant chaque utilisation. Si y a des signes d'éraflure, d'usure, de coupures ou de fuites, le tuyau doit être remplacé. **NE L'UTILISEZ PAS.**
- Inspectez le brûleur avant chaque utilisation. Examinez brûleur et le tube venturi à la recherche d'insectes et de nids d'insectes. Un tube bouché peut provoquer un incendie sous l'appareil.
- Vérifiez que l'orifice est bien centré à l'intérieur du tube venturi. L'omission de bien assembler l'orifice du robinet au tube venturi peut causer une fuite de gaz ou un risque d'incendie au site de la connexion. Consultez les étapes de l'assemblage pour la méthode d'assemblage appropriée.
- Vérifiez si la tige d'allumage est correctement espacée et alignée sur le brûleur. La tige d'allumage devrait se trouver à environ 1/4 po du brûleur et être alignée sur le haut du port d'un brûleur (Fig. 2). Confirmez si l'espacement est correct en appuyant sur le bouton d'allumage et en vous assurant qu'une étincelle se produit entre la tige d'allumage et le brûleur.
- Connectez le tuyau du régulateur à la bonbonne de gaz propane (Fig. 1)
 1. Assurez-vous que le robinet de la bonbonne de gaz est fermé. Tournez le robinet dans le sens horaire jusqu'à l'arrêt.
 2. Assurez-vous que le bouton de contrôle du brûleur du fumoir est en position fermée (OFF).
 3. Enlevez le bouchon protecteur de la bonbonne gaz et l'écrou d'accouplement s'il y a lieu.
 4. Centrez et insérez le mamelon du régulateur dans l'ouverture du robinet de la bonbonne de gaz tel que montré dans la figure de gauche. Tournez l'écrou d'accouplement du régulateur dans le sens horaire jusqu'à l'arrêt. **NE SERREZ PAS TROP.**
- Faites un test avec de l'eau savonneuse.
- Avant de commencer la procédure d'allumage, assurez-vous que la/les porte(s) du fumoir est/sont ouverte(s).
- Pour éviter une accumulation de gaz lors de l'allumage du brûleur, retirez toutes les pièces situées à l'intérieur ou sur l'appareil.
- Pour l'utiliser, ouvrez le robinet de la bonbonne de gaz, poussez sur le bouton de contrôle du brûleur et tournez-le d'un quart de tour dans le sens horaire 1/4 en position HIGH. Pressez sur le bouton d'allumage pour allumer l'appareil.
- Si le brûleur ne s'allume pas en moins de cinq secondes, remettez le bouton de contrôle du brûleur en position OFF et attendez cinq minutes avant de répéter la procédure. Si l'appareil ne s'allume toujours pas, voyez les instructions pour un allumage avec une allumette.
- Assurez-vous toujours que la/les porte(s) du fumoir sont ouvertes avant de l'allumer. Du gaz peut s'accumuler dans le fumoir.
- Si la flamme s'éteint en cours de cuisson, tournez le bouton de contrôle du brûleur à OFF, fermez le robinet de la bonbonne de gaz, attendez cinq minutes avant d'ouvrir la/les portes et un autre cinq minutes avant de répéter les procédures d'allumage.
- Le bouton de contrôle du brûleur sert à ajuster la flamme. Tournez le bouton dans le sens antihoraire pour diminuer la flamme. Tournez-le bouton dans le sens horaire LENTEMENT afin d'augmenter la flamme. Poussez le bouton de contrôle du brûleur et tournez-le dans le sens horaire afin d'éteindre la flamme.
- Vérifiez visuellement la flamme du brûleur (Fig. 3). Une **BONNE FLAMME** devrait être bleue avec un peu de jaune à la pointe. Une **MAUVAISE FLAMME** est trop jaune et irrégulière. Si vous n'obtenez pas une bonne flamme tournez le bouton de contrôle du brûleur en position OFF et fermez le robinet de la bonbonne de gaz. Si vous obtenez encore une mauvaise flamme, laissez l'appareil refroidir puis nettoyez le brûleur. Laissez le brûleur s'assécher au complet avant de le rallumer.
- Après l'usage tournez le bouton de contrôle du brûleur à OFF, puis tournez le robinet de la bonbonne de gaz à OFF et débranchez le réservoir.
- Les régulateurs de type 1 sont munis d'un crochet (Fig. 4). Le crochet du régulateur sert à le maintenir hors de contact avec le sol lorsqu'il est détaché de la bonbonne de gaz. Fixez-le à l'appareil tel que montré dans l'image.

INSTRUCTIONS POUR ALLUMER AVEC UNE ALLUMETTE

1. Lisez toutes les instructions et avertissements avant l'allumage.
2. Examinez le bouton de contrôle de brûleur et le robinet de la bonbonne de gaz afin de vous assurer qu'ils sont en position OFF avant de brancher la bonbonne de gaz.
3. Faites un test à l'eau savonneuse avant chaque utilisation.
4. Ouvrez la/les porte(s) au cours de l'allumage et retirez tous les accessoires et contenants de cuisson rangés dans ou sur l'appareil.
5. Ouvrez le robinet de la bonbonne de gaz, puis ouvrez le bouton du brûleur.
6. Approchez suffisamment une longue allumette allumée du brûleur afin de l'enflammer.
7. Si l'appareil ne s'allume pas dans les cinq secondes, tournez le bouton de contrôle du brûleur à OFF et attendez cinq minutes avant de répéter les procédures d'allumage à l'allumette.
8. Après chaque utilisation, fermez d'abord le bouton de contrôle du gaz puis fermez le robinet de la bonbonne de gaz. Veuillez toujours laisser l'appareil refroidir au complet avant de le toucher, de le déplacer ou de l'entreposer.





AVERTISSEMENT

Dans l'éventualité d'une fuite de gaz que vous soyez incapable d'arrêter ou si un incendie se déclare à cause d'une fuite de gaz, communiquez avec le service d'incendie.

Urgence	Cause	Solution possible
Du gaz fuit d'un tuyau fissuré, coupé ou brûlé.	Le tuyau de gaz est endommagé.	Fermez le robinet de gaz de la bonbonne de gaz.
		Remplacez le tuyau.
		Communiquez avec Masterbuilt au 1-800-489-1581.
Du gaz fuit de la bonbonne de gaz.	Domage dû à la corrosion ou à une mauvaise manipulation.	Remplacez la bonbonne de gaz.
Du gaz fuit du robinet de la bonbonne de gaz.	Domage au robinet dû à la corrosion, à un problème ou à une mauvaise manipulation.	Fermez le robinet de la bonbonne de gaz et rapportez la bonbonne à votre fournisseur de gaz.
Du gaz fuit entre la bonbonne de gaz et le branchement au régulateur.	Mauvaise installation, branchement insuffisamment serré, filetage endommagé ou joint de caoutchouc défectueux.	Fermez le robinet de la bonbonne de gaz, puis rebranchez le régulateur à la bonbonne.
		Fermez le robinet de la bonbonne de gaz et rapportez la bonbonne à votre fournisseur de gaz.
		Faites une inspection visuelle du joint de caoutchouc à la recherche de dommages.
Des flammes sous le panneau de contrôle.	Des flammes dans le tube du brûleur à cause d'un blocage.	Fermez le bouton de contrôle du brûleur et le robinet de la bonbonne de gaz. Une fois le feu éteint et lorsque le brûleur a refroidi, enlevez le brûleur à la recherche d'araignées, de nids de corrosion ou d'autres débris.
Feu de graisse ou flammes excessives et continues.	Accumulation de graisse sur ou autour du brûleur.	Fermez le bouton de contrôle du brûleur et le robinet de la bonbonne de gaz. Laissez les flammes s'éteindre et l'appareil refroidir. Nettoyez la graisse et les particules de nourriture qui se trouvent sur ou autour du brûleur ou sur les surfaces environnantes.

GUIDE DE DÉPANNAGE

Symptôme	Cause	Solution possible
Flamme trop faible*	Manque de carburant.	Faites le plein ou mettez une bonbonne de gaz pleine.
Les flammes s'éteignent*	Quantité de gaz insuffisante.	Faites le plein de la bonbonne de gaz.
Flambée.	Accumulation excessive de graisse.	Nettoyez le brûleur et l'intérieur de l'appareil.
	Trop de graisse sur la viande.	Découpez le gras de la viande.
	Température de cuisson trop élevée.	Ajustez ou abaissez la température en conséquence.
Feu de graisse persistant.	Graisse emprisonnée par l'accumulation de nourriture autour du brûleur.	Éteignez le bouton de contrôle du brûleur et fermez le robinet de la bonbonne de gaz. Laissez le feu s'éteindre l'appareil refroidir. Une fois refroidi, démontez les pièces et nettoyez-les.
Retour de flamme (dans le tube du brûleur).	Blocage dans le brûleur ou dans le tube du brûleur.	Éteignez le bouton de contrôle du brûleur et fermez le robinet de la bonbonne de gaz. Nettoyez le brûleur ou le tube du brûleur.
Les temps de cuisson sont plus longs que prévus*	La valve n'est pas bien alignée avec le brûleur.	Vérifiez que la valve est bien centrée dans le tube du brûleur.

* Voir aussi les Solutions aux problèmes : « Causes » Flux faible ou inexistant/Bouchon de vapeur/Flux excessif.

SOLUTIONS AUX PROBLÈMES: « CAUSES » FLUX FAIBLE OU INEXISTANT/BOUCHON DE VAPEUR/FLUX EXCESSIF

Symptôme	Cause	Solution possible
Le brûleur ne s'allume pas lorsqu'on presse sur le bouton d'allumage.	Flux de gaz trop faible ou inexistant.	<ol style="list-style-type: none"> 1. Tournez bouton de contrôle du brûleur en position OFF. 2. Tournez le robinet de la bonbonne de gaz en position OFF. 3. Débranchez le régulateur de la bonbonne afin de libérer le bouchon de vapeur. 4. Rebranchez le régulateur à la bonbonne en serrant bien à la main. 5. Ouvrez légèrement le robinet de la bonbonne de gaz, lentement, puis donnez un tour complet pour l'ouvrir davantage. 6. Vous êtes maintenant prêt à allumer le fumoir. 7. Tournez le bouton de contrôle du brûleur en position HIGH et pressez le bouton d'allumage.
	Bouchon de vapeur à l'écrou d'accouplement à la bonbonne de gaz	
Flamme trop faible.	Le limiteur de débit s'est déclenché.	
	Bouchon de vapeur à écrou d'accouplement à la bonbonne de gaz.	
Les flammes s'éteignent.	Le limiteur de débit s'est déclenché.	
Les temps de cuisson sont plus longs que prévus.	Bouchon de vapeur.	



PELIGRO DE MONÓXIDO DE CARBONO



Quemar trozos de madera despide monóxido de carbono, que no tiene olor y puede causar la muerte.

NO queme los trozos de madera dentro de hogares, vehículos, tiendas, garajes u otras áreas cerradas.

USE SOLAMENTE AL AIRE LIBRE donde está bien ventilado.



PELIGRO



SI HUELE GAS:

1. Apague el gas que se dirige al artefacto.
2. Apague cualquier llama abierta.
3. Abra/retire la puerta.
4. Si el olor continúa, aléjese del artefacto y llame inmediatamente a su Departamento de bomberos.



ADVERTENCIA



Este manual contiene información importante necesaria para el correcto ensamblaje y uso seguro del artefacto.

Lea y siga todas las advertencias e instrucciones antes de ensamblar y usar el aparato.

Siga todas las advertencias e instrucciones cuando use la unidad.

Conserve este manual para referencia en el futuro.



Si no sigue estas instrucciones, podría producirse un peligro de incendio, explosión o quemadura, lo cual podría causar daños a la propiedad, lesiones personales o la muerte.



PELIGRO



1. Nunca opere este artefacto desatendido.
2. Nunca opere este artefacto dentro de 10 pies (3 m) de cualquier estructura, material combustible u otro cilindro de gas.
3. Nunca opere este artefacto dentro de 25 pies (7.5 m) de cualquier líquido inflamable.
4. Si ocurriera un incendio, manténgase alejado del artefacto y llame inmediatamente a su estación de bomberos. No intente apagar un incendio de aceite o grasa con agua.



ADVERTENCIA



PROPUESTA 65 DE CALIFORNIA

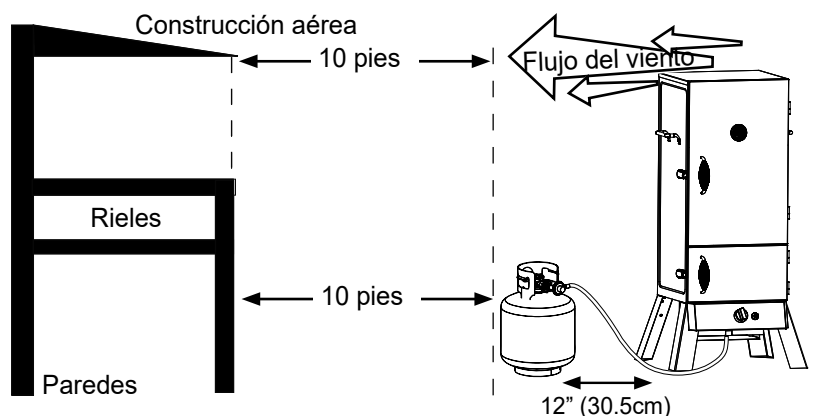
1. Los subproductos combustibles producidos a raíz de la utilización de este producto contienen químicos cuyos efectos son reconocidos por el Estado de California por causar cáncer, defectos de nacimiento y otros daños reproductivos.
2. Este producto contiene químicos, cuyos efectos son reconocidos por el Estado de California por causar cáncer, defectos de nacimiento u otros daños reproductivos.

RECOMENDACIONES DE PROXIMIDAD ESTRUCTURAL Y USO SEGURO

Antes de usar el ahumador, revise la dirección del viento y coloque el cilindro **CONTRA EL VIENTO** 12 pulgadas (30.5 cm) en posición recta. Esto es necesario para que el sistema de suministro del cilindro esté ubicado para el retiro del vapor y para evitar que el cilindro golpee a la unidad si se vuelca.



ADVERTENCIA: LA MANGUERA ES UN PELIGRO DE TROPIEZO QUE PODRÍA CAUSAR EL VUELCO DE UN CILINDRO DE SUMINISTRO





INFORMACIÓN DE SEGURIDAD Y ADVERTENCIAS GENERALES



LEA TODAS LAS INSTRUCCIONES

- Siempre use la unidad en conformidad con todos los códigos contra incendios locales, estatales y federales aplicables.
- Antes de cada uso, verifique todas las tuercas, tornillos y pernos para asegurarse que estén firmes y asegurados.
- Nunca opere esta unidad bajo cualquier construcción aérea, como cubiertas de techos, porches de autos, toldos o voladizos.
- La unidad es **PARA USO AL AIRE LIBRE DEL HOGAR SOLAMENTE**.
- Nunca use dentro de áreas cerradas como patios, garajes, edificios o tiendas.
- Nunca use dentro o sobre botes o vehículos recreativos.
- Mantenga una distancia mínima de 10 pies (3m) de construcciones aéreas, paredes, rieles u otras estructuras.
- Mantenga un mínimo de 10 pies (3m) de espacio libre de todos los materiales combustibles como madera, plantas secas, césped, escobillas, papel o lienzos.
- Nunca use esta unidad para ninguna otra cosa que no sea su propósito intencionado. Esta unidad **NO** es para uso comercial.
- **NO** se recomienda usar accesorios adicionales no suministrados por Masterbuilt Manufacturing, LLC; estos podrían causar lesiones.
- El uso de alcohol y de medicamentos con o sin receta pueden obstaculizar la habilidad del usuario de ensamblar u operar correctamente la unidad.
- Conserve un extintor de incendios accesible en todo momento mientras opere la unidad.
- Cuando cocine con aceite o grasa, tenga un extintor tipo BC o ABC a disponibilidad.
- En caso de un incendio de aceite o grasa, no intente extinguirlo con agua. Llame inmediatamente al departamento de bomberos. En ciertos casos, un extintor tipo BC o ABC puede contener el incendio.
- Use la unidad sobre una superficie no combustible y estable tal como tierra, concreto, ladrillo o piedra. Mejor no utilizar una superficie de asfalto (bituminosa) para este propósito.
- La unidad **DEBE** estar sobre el suelo. No coloque la unidad en mesas o mostradores. **NO** mueva la unidad por superficies desniveladas.
- No use la unidad en superficies de madera o inflamables.
- Mantenga el área alrededor de la unidad despejada y libre de materiales combustibles, como gasolina y otros vapores y líquidos inflamables.
- No deje la unidad desatendida.
- Mantenga a los niños y mascotas lejos de la unidad en todo momento. **NO** permita que los niños usen la unidad. Es necesaria una supervisión cercana si hay niños o mascotas en el área donde su usa la unidad.
- **NO** permita que nadie realice actividades alrededor a esta unidad durante o después de su uso hasta que se haya enfriado.
- Nunca use recipientes de vidrio, plástico o cerámica en la unidad. Nunca coloque utensilios vacíos en la unidad mientras esté en uso.
- Nunca mueva la unidad cuando esté en uso. Deje que la unidad se enfríe completamente (por debajo de los 115°F (45°C) antes de moverla o guardarla.
- Almacene únicamente cuando el fuego esté totalmente apagado y todas las superficies estén frías.
- Nunca utilice esta unidad como un calentador (**LEER PELIGRO DE MONÓXIDO DE CARBONO**).
- La unidad está **CALIENTE** mientras está en uso y permanecerá **CALIENTE** por un cierto periodo de tiempo y durante el proceso de enfriamiento. Tenga **PRECAUCIÓN**. Use guantes/mitones de protección.
- Tenga cuidado cuando retire los alimentos de la unidad. Todas las superficies están **CALIENTES** y pueden causar quemaduras. Use guantes/mitones de protección o herramientas de cocción resistentes para protegerse de las superficies calientes o las salpicaduras de los líquidos de la cocción.
- **NO** choque o golpee la unidad para evitar lesiones personales, daños a la unidad o derrames/salpicaduras del líquido de cocción caliente.
- No toque las superficies **CALIENTES**
- La unidad está caliente durante su uso. Para evitar quemaduras, mantenga el rostro y cuerpo lejos de la puerta, tapa y ductos. Se expelen vapor y aire caliente durante el uso.
- Los reguladores de aire están **CALIENTES** mientras la unidad esté en uso y durante el enfriamiento; use guantes protectores cuando realice ajustes.
- La unidad tiene una llama abierta. • Mantenga sus manos, cabello y rostro lejos de la llama del quemador. **NO** se incline sobre el quemador mientras lo esté encendiendo. El cabello y la ropa sueltos pueden incendiarse.
- **NO** obstruya el flujo de combustión y ventilación.
- No cubra las rejillas de cocción con papel aluminio. Esto atraparé el calor y podría causar daños a la unidad.
- La instalación de la unidad debe estar conforme a los códigos locales o en la ausencia de estos, al Código nacional de gas combustible, ANSI Z223.1/NFPA 54, Almacenamiento y manejo de gases de petróleo licuados, ANSI/NFPA 58 o CSA B149.1, al Código de instalación de gas natural; Almacenamiento y manejo de propano, CSA B149.2; o la Norma para vehículos recreacionales, ANSI A119.2/NFPA 1192; y el Código de vehículos recreacionales, CSA Z240 serie RV, según corresponda.
- Antes de cada uso inspeccione la manguera de gas en busca de signos de daño.
- Mantenga la manguera de suministro de combustible lejos de cualquier superficie calentada.

LAS ADVERTENCIAS Y SALVAGUARDAS IMPORTANTES CONTINÚAN EN LA PÁGINA 18



ADVERTENCIAS Y SALVAGUARDAS IMPORTANTES CONTINUACIÓN DESDE LA PÁGINA 17

- Mantenga la manguera de suministro de combustible lejos de la unidad mientras esté en operación.
- Se **DEBE** usar el ensamblaje del regulador y la manguera suministrado con esta unidad. Si necesita repuestos, contáctese con el Servicio de atención al cliente de Masterbuilt al: 1-800-489-1581.
- Use un cilindro de gas de 20LB (9kgs) que tenga un anillo protector (el cilindro no viene incluido con la unidad).
- Mantenga las aberturas de ventilación del recinto del cilindro libres y despejadas.
- El cilindro de gas LP que se usa debe estar construido y marcado en conformidad con las especificaciones de cilindros de gas LP del Departamento de Transporte de los EE. UU. (DOT) o la Norma de cilindros, esferas y tubos para el transporte de artículos peligrosos, CAN/CSA-B339.
- Nunca use el cilindro de gas si hay evidencia de ranuras, hendiduras, bultos, daños de incendio, erosión, fugas, óxido excesivo u otras formas de daños externos visibles. Esto puede ser peligroso y el cilindro deberá llevarse a un proveedor de propano líquido para ser revisado.
- Nunca conecte/desconecte el cilindro de gas, mueva o modifique los aditamentos del gas cuando la unidad esté en operación.
- Siempre desconecte el cilindro de gas de la unidad cuando no esté en uso.
- La unidad ha sido diseñada para funcionar únicamente con gas propano. Solo use cilindros de gas que tengan la marca de propano con esta unidad.
- Este producto **NO** funcionará con gas natural.
- Cuando haya terminado de usarlo, siempre apague primero la válvula de control del quemador, luego apague la válvula del cilindro de gas y finalmente desconecte el cilindro.
- El gas **DEBE** apagarse en el cilindro de suministro cuando no esté en uso.
- El cilindro **DEBE** almacenarse en exteriores, fuera del alcance de los niños y **NO** debe almacenarse en un edificio, garaje u otra área cerrada.
- **NO** almacene cilindros de repuesto de gas LP bajo o cerca de la unidad. La válvula de alivio de seguridad del cilindro de gas puede sobrecalentarse, permitiendo al gas liberarse causando un incendio, que podría causar la muerte o lesiones graves.
- Nunca llene el cilindro más del 80%, de lo contrario, éste podría liberar gas causando un incendio, que podría causar la muerte o lesiones graves.
- Coloque una tapa guardapolvos en la salida de la válvula del cilindro cuando no esté en uso. Solamente instale la tapa guardapolvos que viene con el cilindro. Otras tapas o tapones podrían causar fugas.
- Si huele, escucha u observa gas escapando, retírese inmediatamente del cilindro de gas y llame al Departamento de bomberos. El fuego puede causar la muerte o lesiones graves.
- Revise los pasos de encendido antes de usar.
- Nunca use líquido de encendedor con propano.
- Se debe usar trozos de madera para producir humo y crear el sabor de ahumado.
- El tazón/bandeja de trozos de madera del tazón de disco de la llama está **CALIENTE** cuando la unidad está en uso. Use precaución cuando agregue madera.
- Revise la bandeja de grasa con frecuencia durante la cocción. Vacíe la bandeja de grasa antes que se llene. La bandeja de grasa puede necesitar un vaciado frecuente durante la cocción.
- No abra la(s) puerta(s) del ahumador a menos que sea necesario. Abrir la(s) puerta(s) del ahumador hace que el calor se escape, causando mayores tiempos de cocción y estallidos de la madera. Cerrar la(s) puerta(s) volverá a estabilizar la temperatura y detendrá cualquier estallido.
- Este es un ahumador. Se producirá una gran cantidad de humo cuando se usan los trozos de madera. El humo escapará a través de las ranuras y hará que el interior del ahumador se ponga negro. Esto es normal. Para minimizar la pérdida de humo alrededor de la(s) puerta(s), se puede ajustar el seguro para ajustar más el sello de la puerta contra el cuerpo.
- Para ajustar el seguro de la puerta, afloje la tuerca hexagonal en el seguro de la puerta. Gire el gancho hacia la derecha para ajustar como se muestra. Asegure la tuerca hexagonal firmemente contra el seguro de la puerta. (ver diagrama)
- Cuando la temperatura externa sea menor de 65°F (18°C) y/o la altitud mayor de 3,500 pies (1067m), puede ser necesario un tiempo de cocción adicional. Para asegurarse que la carne esté completamente cocida utilice un termómetro para carnes para comprobar la temperatura interna.
- No use perlas de madera.
- Los alimentos necesitan estar en el centro de las rejillas de ahumado. Esto permite que los goteos de los alimentos caigan en la bandeja de agua.
- No deje madera o cenizas antiguas en el tazón/bandeja de trozos de madera del tazón de disco de la llama. Una vez que las cenizas estén frías, vacíe el tazón/bandeja. El tazón/bandeja debe limpiarse antes de y después de cada uso para evitar la acumulación de cenizas y residuos.
- Deseche las cenizas frías colocándolas en papel aluminio, remojándolas en agua y desechándolas en un contenedor no combustible.
- No almacene la unidad con cenizas **CALIENTES** dentro de la unidad.

CONSERVE ESTAS INSTRUCCIONES

OPERACIÓN DEL AHUMADOR - LEA Y SIGA TODAS LAS INSTRUCCIONES CUIDADOSAMENTE

INICIO

- Cure previamente la unidad antes del primer uso. Ver **INSTRUCCIONES DEL CURADO PREVIO**.
- Antes de iniciar la unidad, ver **AGREGAR TROZOS DE MADERA O BLOQUES DE MADERA**.

PRECAUCIÓN - Todas las superficies están CALIENTES y pueden causar quemaduras.. Use guantes protectores o herramientas de cocina largas y resistentes cuando cargue/descargue alimentos o rejillas, y cuando agregue los trozos de madera o agua.

INSTRUCCIONES DEL CURADO PREVIO

Curar su ahumador hará que la unidad se deshaga de sustancias químicas y aceites dejados por el proceso de fabricación, permitiendo que se quemen y desvanezcan.

CURE PREVIAMENTE SU AHUMADOR ANTES DEL PRIMER USO.

1. Realice la prueba de agua jabonosa, ver **ADVERTENCIAS Y PROCEDIMIENTOS DE LA PRUEBA DE AGUA JABONOSA**.
2. Con una servilleta o paño, frote una delgada capa de aceite de cocina sobre las rejillas de ahumado y dentro de la puerta del ahumador. Asegúrese que la bandeja de agua esté en su lugar SIN AGUA.
3. Llene la bandeja de trozos de madera con hasta 1 taza (0.24l) de trozos de madera o bloques de madera y encienda el ahumador. Cierre la puerta.
4. Inicie el ahumador y deje que queme por aproximadamente 1 hora. Asegúrese que la temperatura alcance los 350°F (177°C).
5. Deje que la unidad se enfríe COMPLETAMENTE.
6. Vuelva a aplicar una delgada capa de aceite de cocina sobre las rejillas de ahumado y dentro de la puerta del ahumador.
7. Reinicie el ahumador y deje quemar por 20 minutos.
 - **Cure su ahumador periódicamente para evitar el óxido excesivo.**

AGREGAR TROZOS DE MADERA O BLOQUES DE MADERA

1. Puede usar trozos de madera o bloques de madera secos o previamente remojados en su ahumador. Los trozos o bloques de madera secos se quemarán más rápido y producirán un humo más intenso. Los trozos o bloques de madera previamente remojados en agua (por aproximadamente 30 minutos) se quemarán más lentamente y producirán un humo menos intenso.
2. **NO AGREGUE MÁS DE 1 TAZA (0.24l) DE TROZOS DE MADERA O BLOQUES DE MADERA A LA VEZ. Nunca use perlas de madera.**
3. Coloque los trozos de madera o bloques de madera adicionales en el ahumador según sea necesario para lograr el sabor de ahumado deseado.
 - **Se debe usar trozos de madera o bloques de madera para producir humo y crear el sabor de ahumado.**

INSTRUCCIONES DE OPERACIÓN

1. Para iniciar el ahumador ver **INSTRUCCIONES DE ENCENDIDO**.
2. Con guantes protectores, coloque la bandeja de agua en posición. Vierta 1 pulgada de agua, jugo o vinagre en la bandeja de agua. Esto va a añadir sabor y humedad a los alimentos, y evitará que se sequen.
3. **NO cubra las rejillas con papel de aluminio ya que esto no permitirá que el calor circule correctamente.**
4. Caliente previamente el ahumador por 30 a 45 minutos a temperatura máx antes de colocar los alimentos.
5. Coloque los alimentos en el ahumador, en el centro de la rejilla de ahumado.
6. **NO sobrecargue el ahumador con alimentos. Las cantidades extra grandes de comida pueden atrapar el calor, extender el tiempo de cocción y causar una cocción desigual. Deje espacio entre los alimentos y los lados del ahumador para asegurar una correcta circulación. Si está utilizando bandejas de cocción, asegúrese de no cubrir más del 75% del espacio de la rejilla y coloque las bandejas en el centro de la rejilla para asegurar una cocción uniforme.**
7. Para mejores resultados, rote las rejillas entre las posiciones superior e inferior durante la cocción.
8. Ajuste las configuraciones del ahumador, la botón de control y los reguladores de aire a la temperatura de cocción deseada.
 - Cierre todos los reguladores de aire en la unidad para retener la humedad y el calor. Si cocina alimentos como pescado o carne seca, abra los reguladores de aire para dejar escapar la humedad.
9. Si los trozos de madera o bloques de madera no ahúman en la configuración baja, aumente la temperatura a 275°. Luego de 8 a 10 minutos o cuando los trozos de madera o bloques de madera comiencen a consumirse, reduzca la temperatura a la configuración baja deseada.
10. Tenga precaución cuando cocine en días ventosos para asegurarse de que la llama no se extinga. Su sospecha o experimenta la extinción de la llama, abra primero la puerta para verificar la llama y siga las **INSTRUCCIONES DE ENCENDIDO** para volver a encender el quemador, si es necesario. Ajuste la válvula de control del quemador para tener una llama más grande y evitar que se vuelva a extinguir.
Nunca encienda el ahumador con la puerta cerrada.
11. Las temperaturas extremadamente frías pueden extender los tiempos de cocción.
12. Una vez que ha terminado de cocinar, apague la unidad, ver **INSTRUCCIONES DE ENCENDIDO** para apagar la unidad, retire el cilindro de gas y luego siga las **INSTRUCCIONES DE LIMPIEZA y ALMACENAMIENTO**. LIMPIE DESPUÉS DE CADA USO. Esto extenderá la vida de su ahumador y evitará el moho y los hongos.

INSTRUCCIONES DE LIMPIEZA y ALMACENAMIENTO

- SIEMPRE ASEGÚRESE QUE LA UNIDAD ESTÉ FRÍA AL TACTO ANTES DE LIMPIAR Y ALMACENAR.
- Asegúrese de limpiar el ahumador después de cada uso. Asegúrese que el cilindro de gas se haya apagado y retirado.
- Para los soportes de la rejilla, rejillas, bandeja de agua y bandeja de goteo, use un detergente para platos suave. Enjuague y seque exhaustivamente.
- Para la bandeja con los trozos de madera, limpie frecuentemente para retirar la acumulación, los residuos y el polvo.
- Deseche las cenizas frías colocándolas en papel aluminio, remojándolas en agua y desechándolas en un contenedor no combustible.
- Para el interior, exterior y sello de la puerta de la unidad, simplemente limpie con un paño luego de cada uso para mantener la unidad en óptimas condiciones de funcionamiento. No use agentes de limpieza caseros. Asegúrese de secar exhaustivamente.
- Luego de la limpieza, almacene el ahumador en un área cubierta y SECA.
- Almacene únicamente cuando el fuego esté totalmente apagado y todas las superficies estén frías.
- Cuando no lo use con frecuencia y tenga una cubierta, recuerde revisar su ahumador periódicamente para evitar posible óxido y corrosión debido a la acumulación de humedad.

VERIFIQUE EL SITIO WEB DE MASTERBUILT PARA MÁS CONSEJOS Y VIDEOS DE RECETAS.

! ADVERTENCIA !

REALICE LA "PRUEBA DE AGUA JABONOSA" ANTES DE CADA USO. VER SECCIÓN DE "PRUEBA DE AGUA JABONOSA"

EN EL MANUAL. APAGUE TODAS LAS LLAMAS ABIERTAS ANTES DE CONECTAR EL REGULADOR AL CILINDRO DE GAS. APAGUE EL GAS DESPUÉS DE CADA USO.

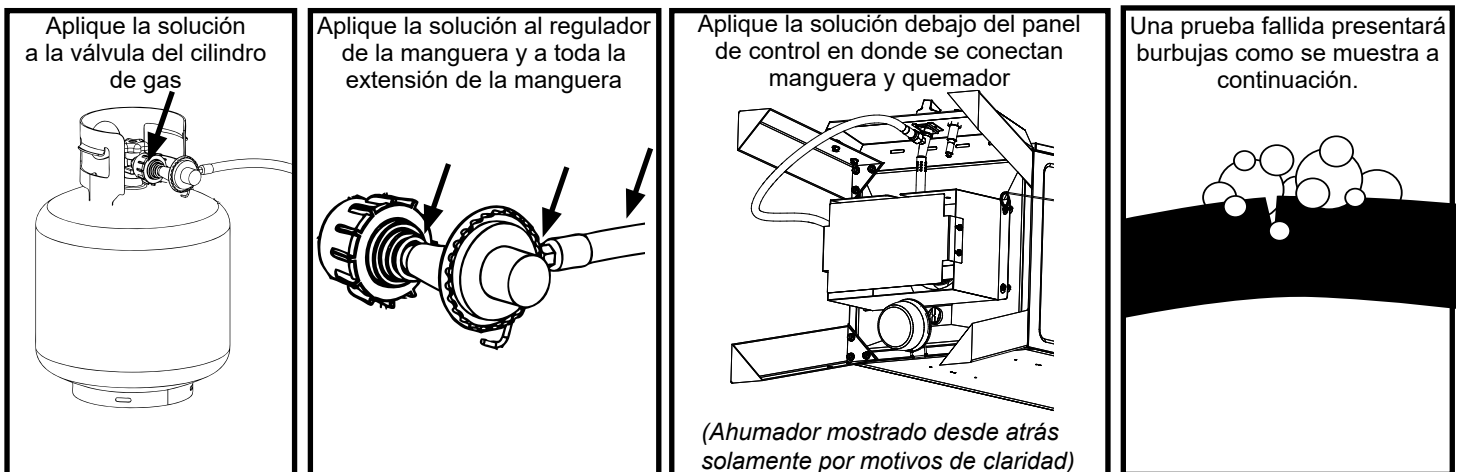
ADVERTENCIAS Y PROCEDIMIENTOS DE LA PRUEBA DE AGUA JABONOSA

ADVERTENCIAS

- La prueba de agua jabonosa DEBE realizarse cada vez que se conecta el cilindro de gas al quemador/a la manguera o cada vez que se usa.
- La prueba de agua jabonosa DEBE realizarse en exteriores, en un área bien ventilada.
- Al realizar la prueba de agua jabonosa mantenga la parrilla lejos de llamas abiertas, chispas o cigarrillos prendidos.
- Nunca use una llama abierta para probar fugas de gas.

PREPARACIÓN:

- Retire todo utensilio de cocina y accesorio de la unidad.
- Asegúrese que el regulador y la perilla del cilindro de gas estén apagados.
- Prepare la solución de agua jabonosa: (1) parte de líquido lavaplatos (o más, si desea), (3) partes de agua.
- Aplique la solución de agua jabonosa a la válvula del cilindro de gas, al regulador y a la manguera hasta llegar a la válvula de control del quemador.



PRUEBA DE LA VÁLVULA DEL CILINDRO DE GAS:

- Encienda la válvula del cilindro de gas y observe si hay burbujas. **NO DEJE EL GAS ENCENDIDO POR MÁS DE 12 SEGUNDOS.** Si aparecen burbujas, pare, **APAGUE** la válvula del cilindro de gas y reajuste los accesorios. Repita la prueba.

PRUEBA DEL REGULADOR Y LA MANGUERA:

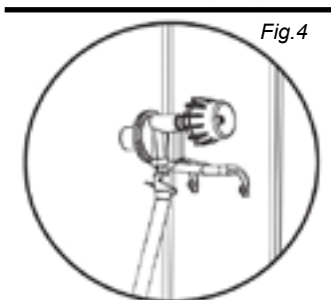
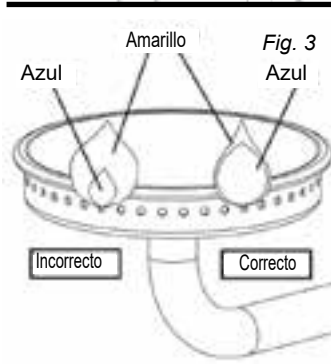
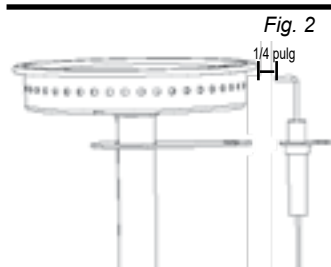
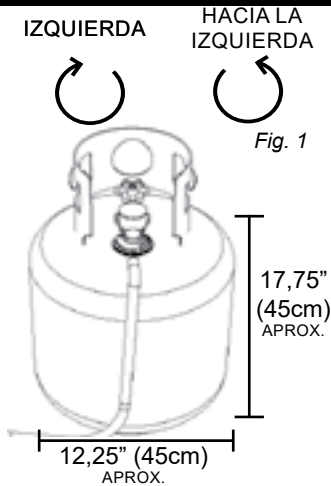
- **DESPUÉS** que la válvula del cilindro de gas ha pasado la Prueba de agua jabonosa, encienda la válvula del cilindro de gas y revise si hay burbujas en la válvula de control del quemador. **NO DEJE EL GAS ENCENDIDO POR MÁS DE 12 SEGUNDOS.** Si aparecen burbujas, pare, apague la válvula del regulador ajustable, apague la válvula de cilindro del gas y vuelva a ajustar la conexión de donde se está fugando el gas. Si la manguera es la fuente de la fuga, **PARE**, no use la unidad. La manguera debe reemplazarse.
- **CUANDO LA PRUEBA ESTÉ LISTA Y SI NO HAY FUGAS, ESPERE COMO MÍNIMO 5 MINUTOS PARA QUE DISMINUYAN LOS VAPORES DEL GAS ANTES DE ENCENDER EL QUEMADOR.**

DURANTE CUALQUIER PARTE DE LA PRUEBA DE AGUA JABONOSA, SI CONTINÚAN APARECIENDO BURBUJAS PARE, NO USE LA UNIDAD. CONTACTE AL REPRESENTANTE LOCAL DE PROPANO O AL SERVICIO DE ATENCIÓN AL CLIENTE DE MASTERBUILT AL: 1-800-489-1581.

Nota: Use un cilindro de gas de 20LB (9kgs) que tenga un anillo protector con esta unidad. El cilindro **NO** viene incluido con esta unidad.

INSTRUCCIONES DE ENCENDIDO

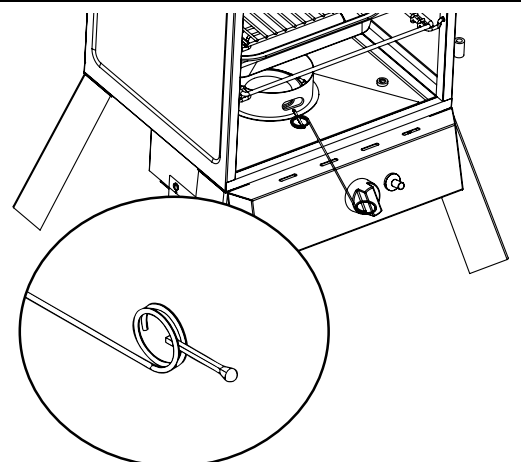
CONEXIÓN Y OPERACIÓN DEL REGULADOR, QUEMADOR Y VÁLVULA DE GAS



- Inspeccione la manguera antes de cada uso. Si hay señales de abrasión, desgaste, cortes o fugas, reemplace la manguera. **NO USAR.**
- Inspeccione el quemador antes de cada uso. Revise el quemador y el tubo de venturi del quemador en busca de insectos y nidos de insectos. Un tubo obstruido puede conllevar a un incendio debajo de la unidad.
- Revise para ver si el orificio está centrado dentro del tubo de venturi. Si no ensambla el orificio de la válvula correctamente al tubo de venturi, puede haber un escape de gas o un incendio potencial en la conexión. Ver pasos de ensamblaje para el método de ensamblaje correcto.
- Verifique que el pin de ignición esté correctamente espaciado y alineado con el quemador. El pin de ignición debe ser de aproximadamente 1/4 pulg desde el quemador y estar alineado con la parte superior del puerto del quemador (Fig. 2). Confirme que el espaciado está correcto presionando el botón del arrancador y asegurándose que la chispa ocurra entre el pin de ignición y el quemador.
- Conecte el regulador de la manguera a un cilindro de gas LP. (Fig. 1)
 1. Asegúrese que la válvula del cilindro de gas esté cerrada. Gire la perilla hacia la derecha hasta que pare.
 2. Asegúrese que la perilla de control del quemador en el ahumador esté en la posición de APAGADO.
 3. Retire la tapa protectora del cilindro de gas y la tuerca de acople, de ser aplicable.
 4. Centre e inserte la boquilla del regulador en la salida de la válvula en el cilindro de gas como se muestra en la figura de la izquierda. Gire la tuerca del acople del regulador hacia la derecha hasta que pare. **NO AJUSTAR DEMASIADO.**
- Realice la prueba de agua jabonosa.
- Antes de iniciar el procedimiento de encendido, asegúrese que la(s) puerta(s) del ahumador esté(n) abierta(s).
- Cuando encienda el quemador, retire todas las partes internas de la unidad para evitar una explosión debido a la acumulación de gas.
- Para usar, encienda la válvula del cilindro de gas, presione hacia adentro la perilla de control del quemador y gire hacia la izquierda 1/4 de giro a la configuración ALTO. Presione el botón del arrancador para encender.
- Si no ocurre la ignición dentro de cinco segundos, apague la perilla de control del quemador y espere cinco minutos y repita los procedimientos de encendido. Si aun así, no se da la ignición, lea las instrucciones para el encendido con fósforos.
- Siempre asegúrese que la(s) puerta(s) del ahumador esté(n) abierta(s) antes de encenderlo. Se puede acumular gas en el ahumador.
- Si la llama se apaga durante la cocción, apague la perilla de control del quemador, apague la válvula del cilindro de gas, espere cinco minutos, luego abra la(s) puerta(s) y espere 5 minutos más antes de repetir las instrucciones de encendido anteriores.
- La perilla de control del quemador ajusta la llama del quemador. Gire la perilla hacia la derecha para reducir la llama. Gire la perilla hacia la derecha LENTAMENTE para aumentar la llama. Presione la perilla de control del quemador hacia adentro y gire hacia la derecha para apagar la llama.
- Verifique visualmente la llama del quemador (Fig. 3). Una LLAMA CORRECTA debe ser azul con una pequeña porción de amarillo en la punta. Una LLAMA INCORRECTA es excesivamente amarilla e irregular. Si ocurre una llama incorrecta, apague la perilla de control del quemador y apague la válvula del cilindro de gas. Si todavía ocurre una llama incorrecta, deje que la unidad se enfríe y luego limpie el quemador. Deje que el quemador se seque completamente antes de volver a encenderlo.
- Luego del uso, apague la perilla de control del quemador, luego apague la válvula del cilindro de gas y desconecte el tanque.
- Los reguladores Tipo 1 tendrán un gancho (Fig. 4). El gancho del regulador se usa para mantener al regulador lejos del suelo cuando se retira del cilindro de LP. Fije a la unidad como se muestra en la imagen.

INSTRUCCIONES PARA EL ENCENDIDO CON FÓSFOROS

1. Lea todas las instrucciones y advertencias antes del encendido.
2. Revise la perilla de control del quemador y la válvula del cilindro de gas para asegurarse que estén apagadas antes de conectarlas al cilindro de gas.
3. Realice la prueba de agua jabonosa antes de cada uso.
4. Abra la puerta durante el encendido y/o retira todos los accesorios y recipientes de cocción de la unidad.
5. Encienda la válvula del cilindro de gas, luego encienda la perilla del control del quemador.
6. Coloque un fósforo largo, de esos para encender chimeneas, lo suficientemente cerca al quemador para que se encienda.
7. Si no se enciende en cinco segundos, apague la perilla de control del quemador y espere cinco minutos y luego repita las instrucciones para el encendido con fósforos.
8. Después de cada uso, primero apague la perilla de control del quemador y luego apague la válvula del cilindro de gas. Siempre permita que la unidad se enfríe completamente antes de tocarla, moverla o almacenarla.





ADVERTENCIA

En caso que no se pueda detener una fuga de gas, o si ocurre un incendio debido a una fuga de gas, llame a la estación de bomberos.

Emergencia	Causa	Solución posible
Fuga de gas desde la manguera fisurada, cortada o quemada	Manguera dañada	Apague el gas en el cilindro de LP.
		Reemplace la manguera.
		Contacte a Masterbuilt al 1.800.489.1581.
Fuga de gas desde el cilindro de LP	Falla debido a óxido o equipo mal manejado	Reemplace el cilindro de LP.
Fuga de gas desde la válvula del cilindro de gas	Falla de la válvula debido al óxido, falla mecánica o equipo mal manejado	Apague la válvula del cilindro de gas y retorne el cilindro al proveedor de gas.
Hay una fuga de gas entre el cilindro de LP y la conexión del regulador	Instalación incorrecta, la conexión no está lo suficientemente ajustada, roscas dañadas o sello de hule dañado	Apague la válvula del cilindro de gas, luego vuelva a fijar el regulador al cilindro.
		Apague la válvula del cilindro de gas y retorne el cilindro al proveedor de gas.
		Inspeccione visualmente el sello de hule en busca de daños.
Fuego bajo el panel de control	Incendio en el tubo del quemador debido a bloqueo del quemador.	Apague la perilla de control del quemador y la válvula del cilindro de gas. Una vez que el fuego se haya apagado y el quemador se haya enfriado, retire e inspeccione el quemador en busca de arañas, nidos, óxido u otros escombros.
Fuego de grasa o llama excesiva/continua	Acumulación de grasa sobre o alrededor del área del quemador	Apague la perilla de control del quemador y la válvula del cilindro de gas. Deje que las llamas se apaguen y algo de tiempo para que la unidad se enfríe. Limpie las partículas de grasa/alimentos alrededor del quemador o área del quemador y superficies circundantes.

GUÍA PARA LA DETECCIÓN Y RESOLUCIÓN DE PROBLEMAS

Problema	Causa	Solución posible
Baja salida de llama*	Se agotó el combustible	Rellene o reemplace con un cilindro de LP lleno.
Las llamas se apagan con el aire*	Bajo gas LP	Rellene el cilindro de LP.
Explosión	Acumulación excesiva de grasa	Limpie el quemador y dentro de la unidad.
	Exceso de grasa en la carne	Corte y retire la grasa de la carne.
	Temperatura de cocción demasiado alta	Ajuste o baje la temperatura como corresponda.
Incendio persistente de grasa	Grasa atrapada por acumulación de alimentos alrededor del sistema del quemador	Apague la perilla de control del quemador y la válvula del cilindro de gas. Deje que el fuego se apague y que la unidad se enfríe. Luego que se haya enfriado, retire y limpie las partes.
Explosión (fuego en el tubo del quemador).	El quemador y/o el tubo del quemador están bloqueados.	Apague la perilla de control del quemador y la válvula del cilindro de gas. Limpie el quemador y/o el tubo del quemador.
Más lento que los tiempos de cocción esperados*	La válvula no está alineada correctamente con el quemador	Verifique para ver si la válvula está centrada en el tubo del quemador.

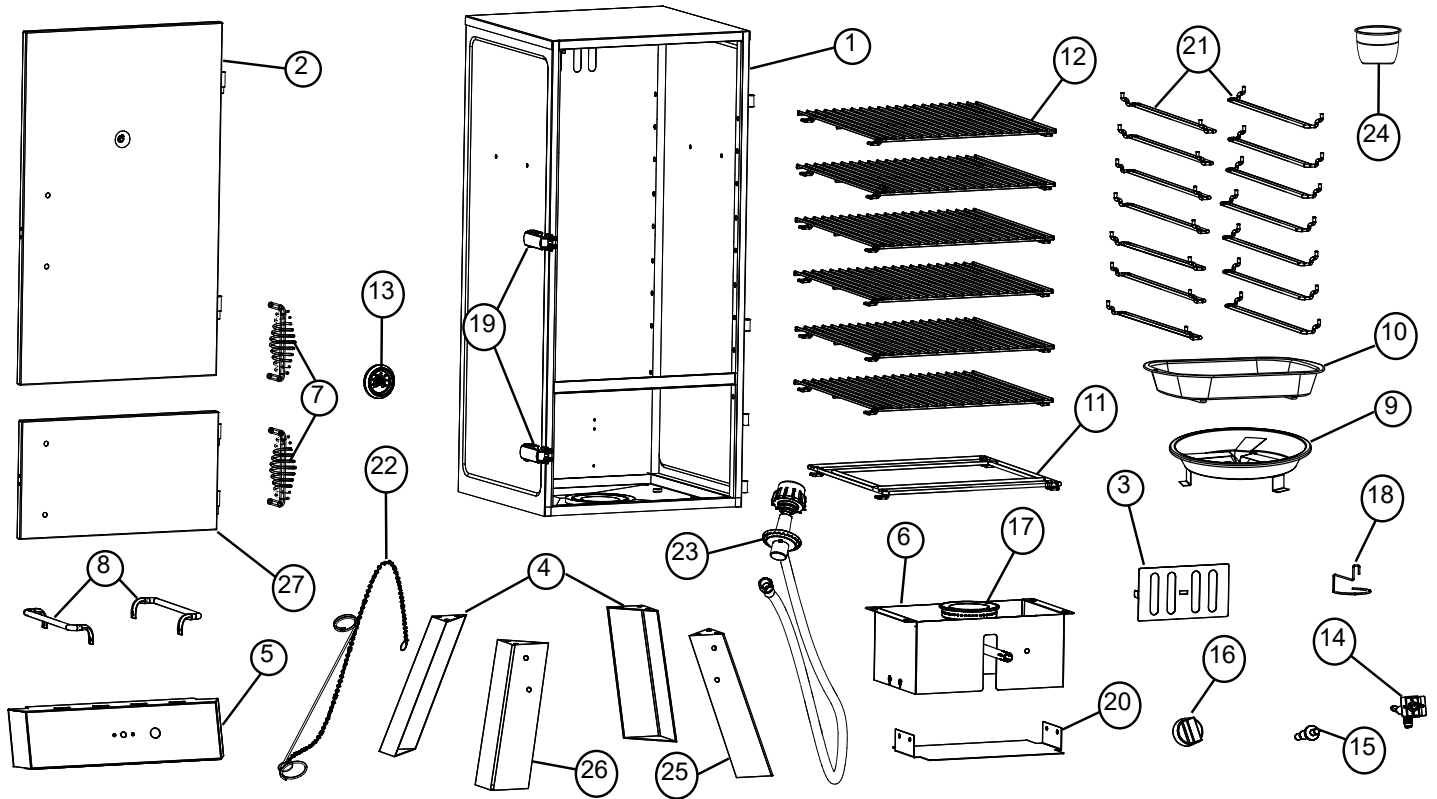
* También vea las soluciones de la Detección de problemas: "Causa" poco o nada de flujo/bloqueo de vapor/exceso de flujo a la parte inferior.

SOLUCIONES DE LA DETECCIÓN DE PROBLEMAS: "CAUSA" POCO O NADA DE FLUJO/BLOQUEO DE VAPOR/EXCESO DE FLUJO

Problema	Causa	Solución posible
El quemador no se enciende luego de presionar el botón arrancador	Bajo/nada de flujo de gas	<ol style="list-style-type: none"> 1. Gire la perilla de control del quemador a la posición de "Off". 2. Gire la perilla de la válvula del cilindro de gas a "OFF". 3. Desconecte el regulador del cilindro para aliviar el bloqueo de vapor. 4. Reconecte el regulador al cilindro a mano girando hasta que esté ajustado. 5. Abra ligera y lentamente la válvula del cilindro de gas y luego ábrala más con un giro completo. 6. Ahora está listo para encender el ahumador. 7. Gire la perilla de control del quemador a alto y encienda con el arrancador.
	Bloqueo del vapor en la tuerca del acoplamiento al cilindro de LP	
Baja salida de llama	Activación de la válvula de flujo excesivo	
	Bloqueo del vapor en la conexión de la tuerca del acoplamiento/cilindro de LP	
Las llamas se apagan con el aire	Activación de la válvula de flujo excesivo	
Más lento que los tiempos de cocción esperados	Bloqueo de vapor	

PARTS LIST, LISTE DES PIÈCES, LISTA DE PARTES

Actual product may differ from picture shown • Le produit réel peut différer de l'illustration • El producto real puede ser distinto de la imagen mostrada



PART NO	QTY	DESCRIPTION	DESCRIPTION	DESCRIPCIÓN
N° DE PIÈCE	QUANTITÉ			
PIEZA No	CANTIDAD			
1	1	Smoker Body	Fumoir	Parte principal del ahumador
2	1	Large Smoker Door w/Logo Plate	Porte principale du fumoir avec plaque griffée	Puerta del ahumador grande
3	1	Air Damper (pre-assembled)	Clapet d'aération (préassemblé)	Regulador de ventilación (preensamblado)
4	2	Rear Legs	Pieds arrière	Pata
5	1	Control Panel	Panneau de commande	Panel de control
6	1	Burner Box	Bac à combustion	Caja del quemador
7	2	Door Handle	Poignée de porte	Mango de la puerta
8	2	Body Handle	Poignée du fumoir	Asa de la parte principal
9	1	Flame Disk Bowl	Foyer	Tazón para combustión
10	1	Water Bowl	Réservoir d'eau	Tazón para el agua
11	1	Water Bowl Holder	Support réservoir d'eau	Soporte del tazón de agua
12	4 or/ou/ 6	Cooking Grate	Grille de cuisson	Parrilla de cocción
13	1	Temperature Gauge	Thermomètre	Termómetro y belleza del anillo
14	1	Valve (pre-assembled)	Robinet (préassemblé)	Válvula (preensamblada)
15	1	Ignitor (pre-assembled)	Dispositif d'allumage (préassemblé)	Encendedor (preensamblado)
16	1	Control Knob (pre-assembled)	Bouton de commande (préassemblé)	Perilla de control (preensamblado)
17	1	Burner (pre-assembled)	Brûleur (préassemblé)	Quemador (preensamblado)
18	1	Grease Clip	Pince du collecteur	Presilla del recipiente para la grasa
19	2	Door Latch (pre-assembled)	Verrou de porte (préassemblé)	Cerradura para la puerta
20	1	Heat Shield	Écran thermique	Protector contra el viento
21	10 or/ou/ 14	Cooking Grate Support	Support grille de cuisson	Piezas de apoyo para rejillas de cocción
22	1	Matchstick w/Chain (pre-assembled)	Allumette avec chaîne (préassemblé)	Portafósforos con cadena (preensamblado)
23	1	Regulator Hose	Régulateur et tuyau	Regulador/manguera
24	1	Grease Cup	Collecteur de graisse	Recipiente para la grasa
25	1	Right Front Leg	Pied avant droit	Pata Delantera Derecha
26	1	Left Front Leg	Pied avant gauche	Pata Delantera Izquierda
27	1	Small Smoker Door	Porte secondaire du fumoir	Parte principal del ahumador pequeño

HARDWARE LIST, LISTE DE MATÉRIEL, LISTA DE HARDWARE



(A)
Qty-24
Quantité-24
Cant.-24



(B)
Qty-4
Quantité-4
Cant.-4



(C)
Qty-4
Quantité-4
Cant.-4



(D)
Qty-1
Quantité-1
Cant.-1

STOP!

DO NOT RETURN TO RETAILER for assembly assistance, missing or damaged parts.

Please contact MASTERBUILT customer service at 1-800-489-1581 or support.masterbuilt.com. Please have the model number and serial number available. These numbers are located on the silver rating label on the unit.

ARRÊTEZ!

NNE PAS RETOURNER AU DÉTAILLANT pour l'assistance d'assemblage, pièces manquantes ou endommagées. S'il vous plaît contacter le service à la clientèle au 1-800-489-1581 ou MASTERBUILT support.masterbuilt.com. S'il vous plaît avoir le numéro de modèle et le numéro de série. Ces numéros se trouvent sur la plaque signalétique de l'argent sur l'unité.

¡ALTO!

NO REGRESE A DISTRIBUIDOR para ayuda con el montaje, partes faltantes o dañados. Por favor, póngase en contacto con el servicio al cliente al 1-800-489-1581 o MASTERBUILT support.masterbuilt.com. Tenga a mano los números de modelo y número de serie. Estos números se encuentran en la placa de plata en la unidad.

- **BEFORE ASSEMBLY READ ALL INSTRUCTIONS CAREFULLY.**
- **ASSEMBLE UNIT ON A CLEAN, FLAT SURFACE.**
- **TOOLS NEEDED: Adjustable Wrench, Phillips Head Screwdriver**
- **Approximate assembly time: 35 minutes**

* Actual product may differ from picture shown

** It is possible that some assembly steps have been completed in the factory. **

- **AVANT L'ASSEMBLAGE, LIRE ATTENTIVEMENT TOUTES LES INSTRUCTIONS.**
- **ASSEMBLER L'APPAREIL SUR UNE SURFACE PLANE ET PROPRE.**
- **OUTILS NÉCESSAIRES : CLÉ AJUSTABLE, TOURNEVIS CRUCIFORME.**
- **Temps nécessaire pour l'assemblage : environ 35 minutes**

* Le produit réel peut différer de l'illustration

Il est possible que certaines étapes d'assemblage aient été effectuées en usine.

- **ANTES DEL ENSAMBLAJE LEA TODAS LAS INSTRUCCIONES CUIDADOSAMENTE.**
- **ENSAMBLE LA UNIDAD EN UNA SUPERFICIE LIMPIA Y PLANA.**
- **HERRAMIENTA NECESARIA: LLAVE AJUSTABLE, DESTORNILLADOR EN CRUZ.**
- **Tiempo aproximado de ensamblaje: 35 minutos**

* El producto real puede ser distinto de la imagen mostrada

Algunos pasos del ensamblaje pueden ya estar completados debido a un preensamblaje en fábrica.

ASSEMBLY, ASSEMBLAGE, ENSAMBLAJE

Actual product may differ from picture shown • Le produit réel peut différer de l'illustration • El producto real puede ser distinto de la imagen mostrada

1

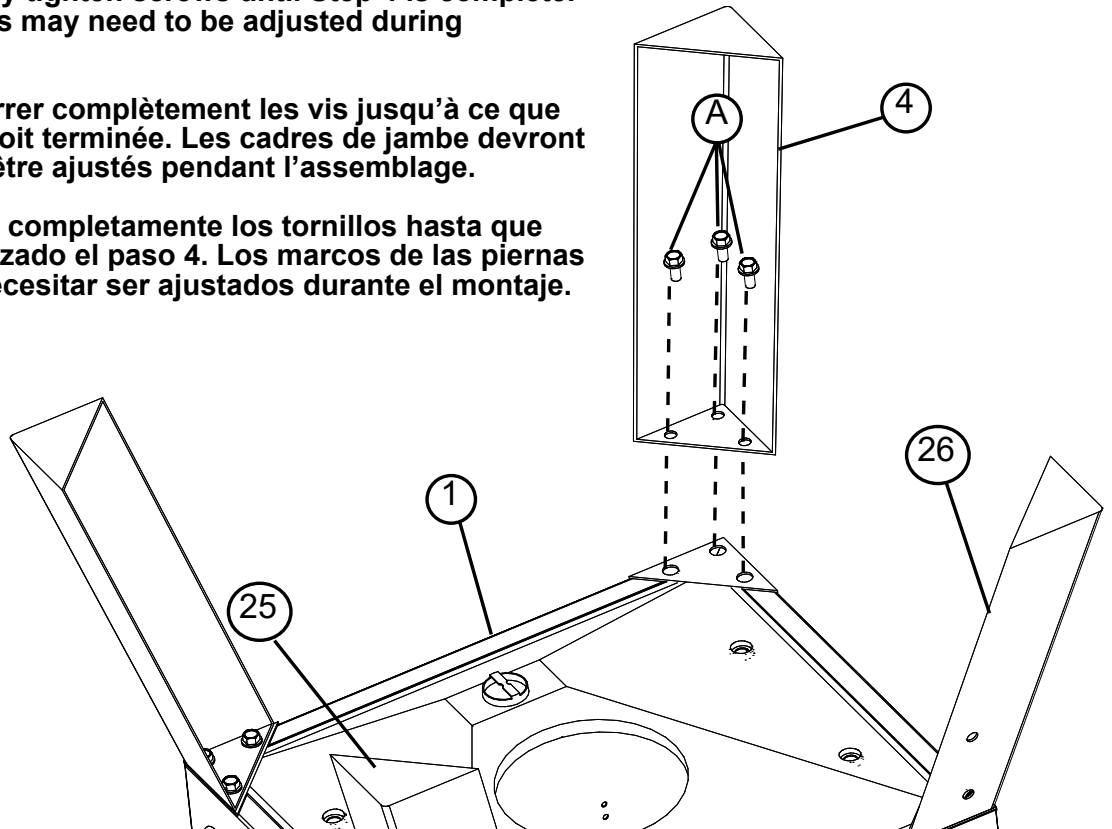
**Do not fully tighten screws until Step 4 is complete.
Leg frames may need to be adjusted during
assembly.**

**Ne pas serrer complètement les vis jusqu'à ce que
l'étape 4 soit terminée. Les cadres de jambe devront
peut-être être ajustés pendant l'assemblage.**

**No apriete completamente los tornillos hasta que
haya finalizado el paso 4. Los marcos de las piernas
pueden necesitar ser ajustados durante el montaje.**



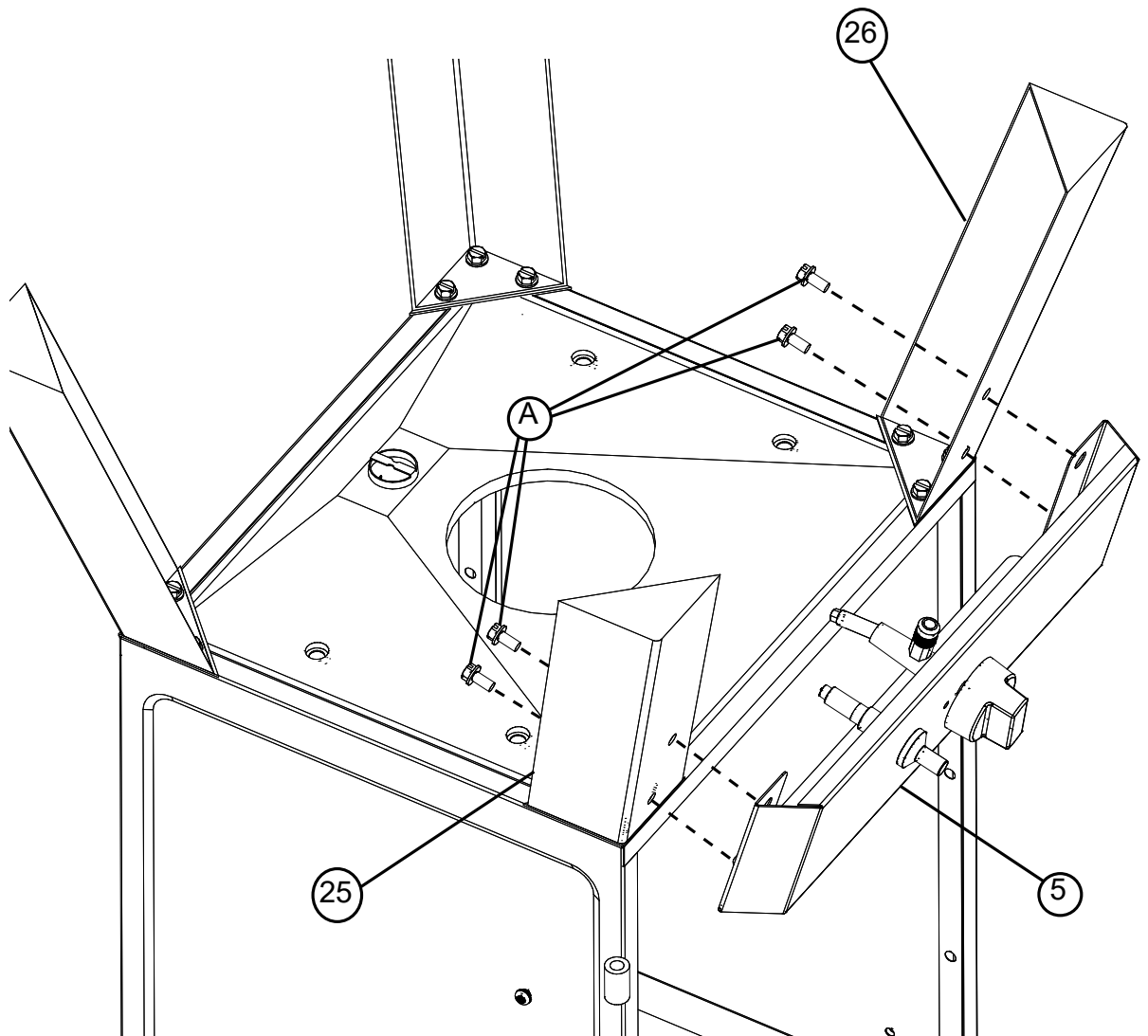
(A)
X12



2

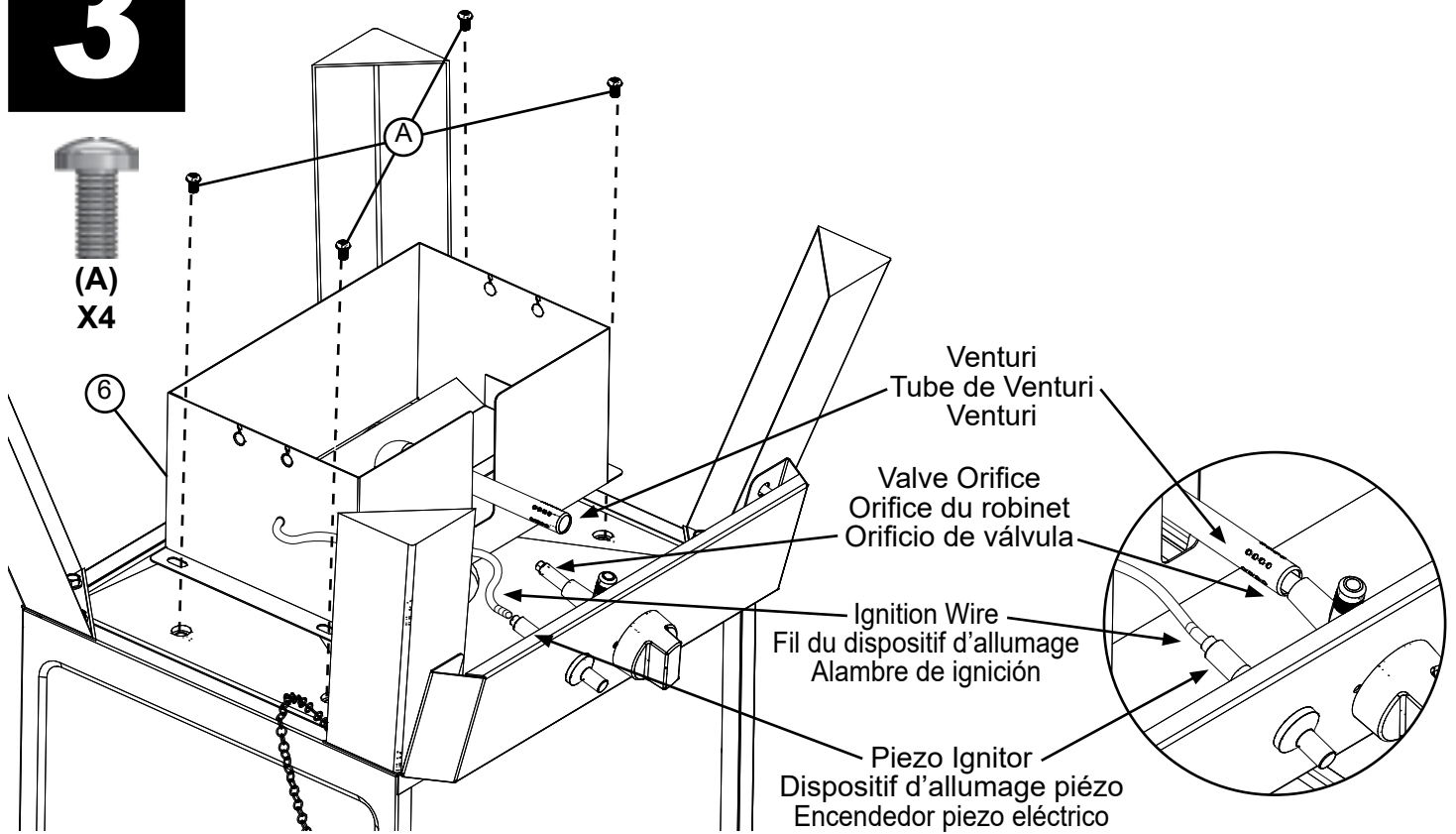


(A)
X4



ASSEMBLY, ASSEMBLAGE, ENSAMBLAJE

3

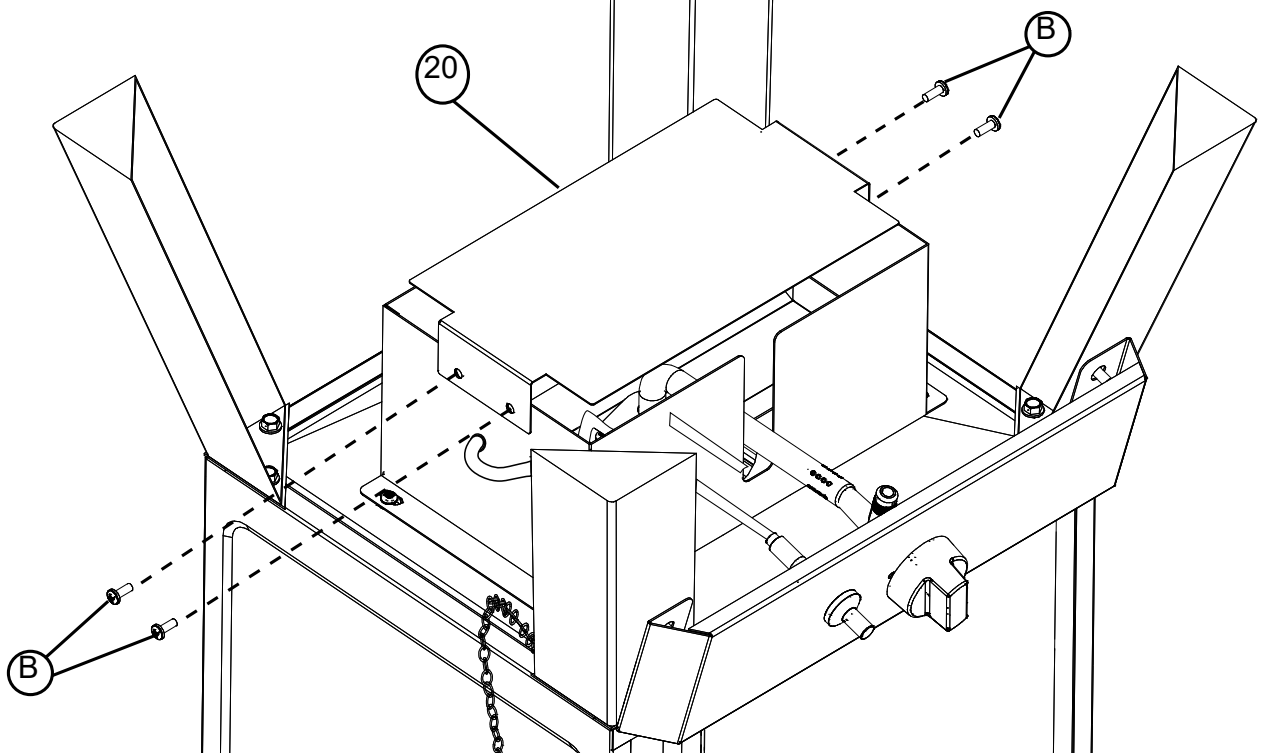


4

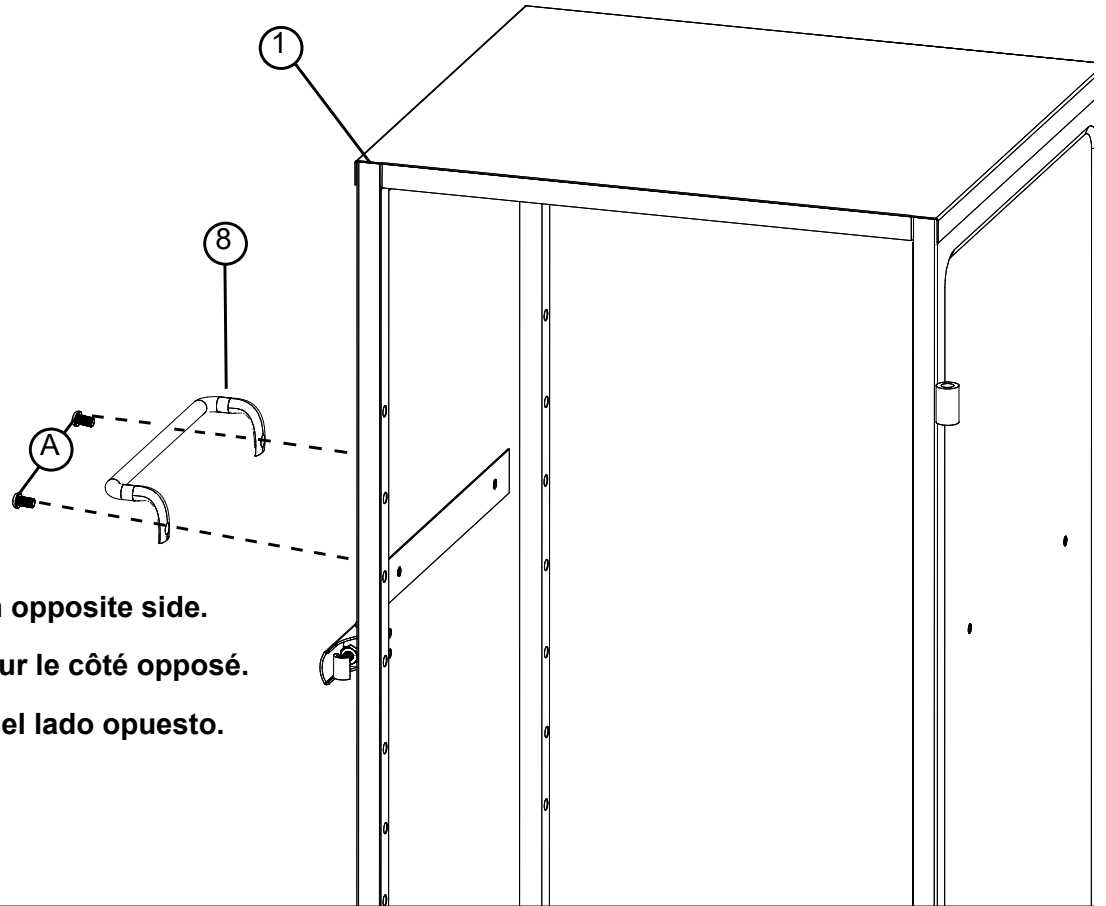
Fully tighten all screws after Step 4 is complete.

Serrez complètement toutes les vis lorsque l'étape 4 est terminée.

Apriete completamente todos los tornillos después de completar el paso 4.



5

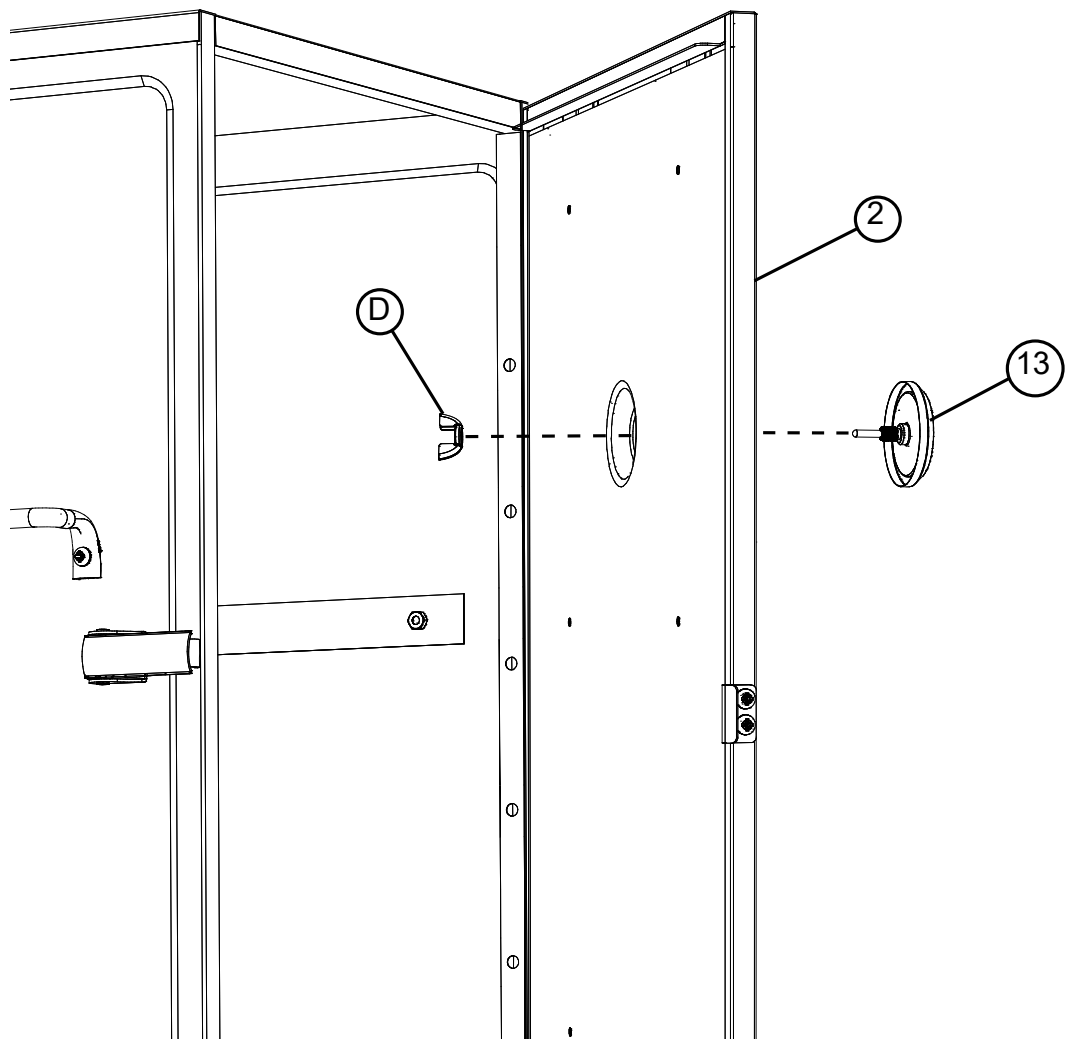
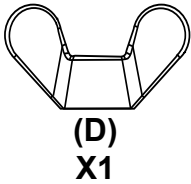


Repeat on opposite side.

Répétez sur le côté opposé.

Repita en el lado opuesto.

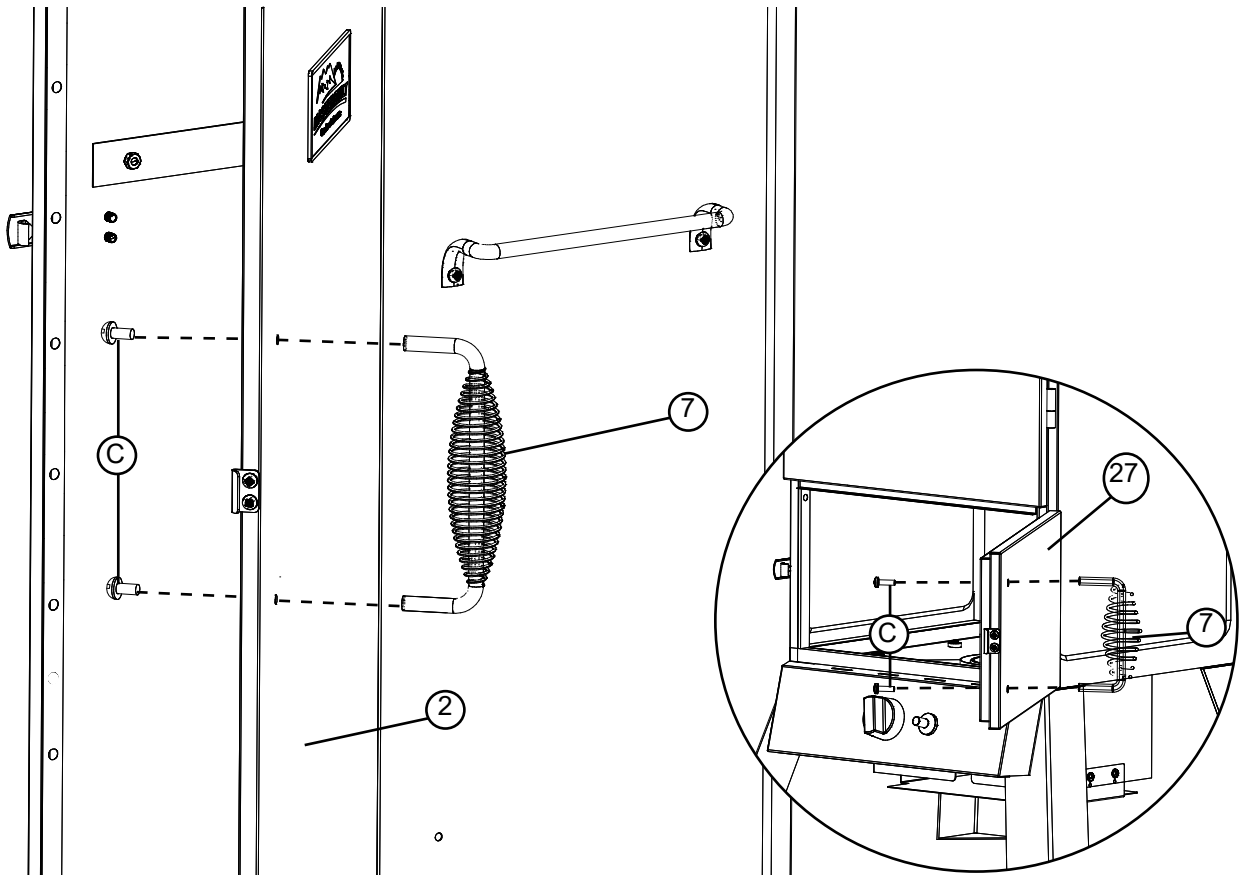
6



7



(C)
X4

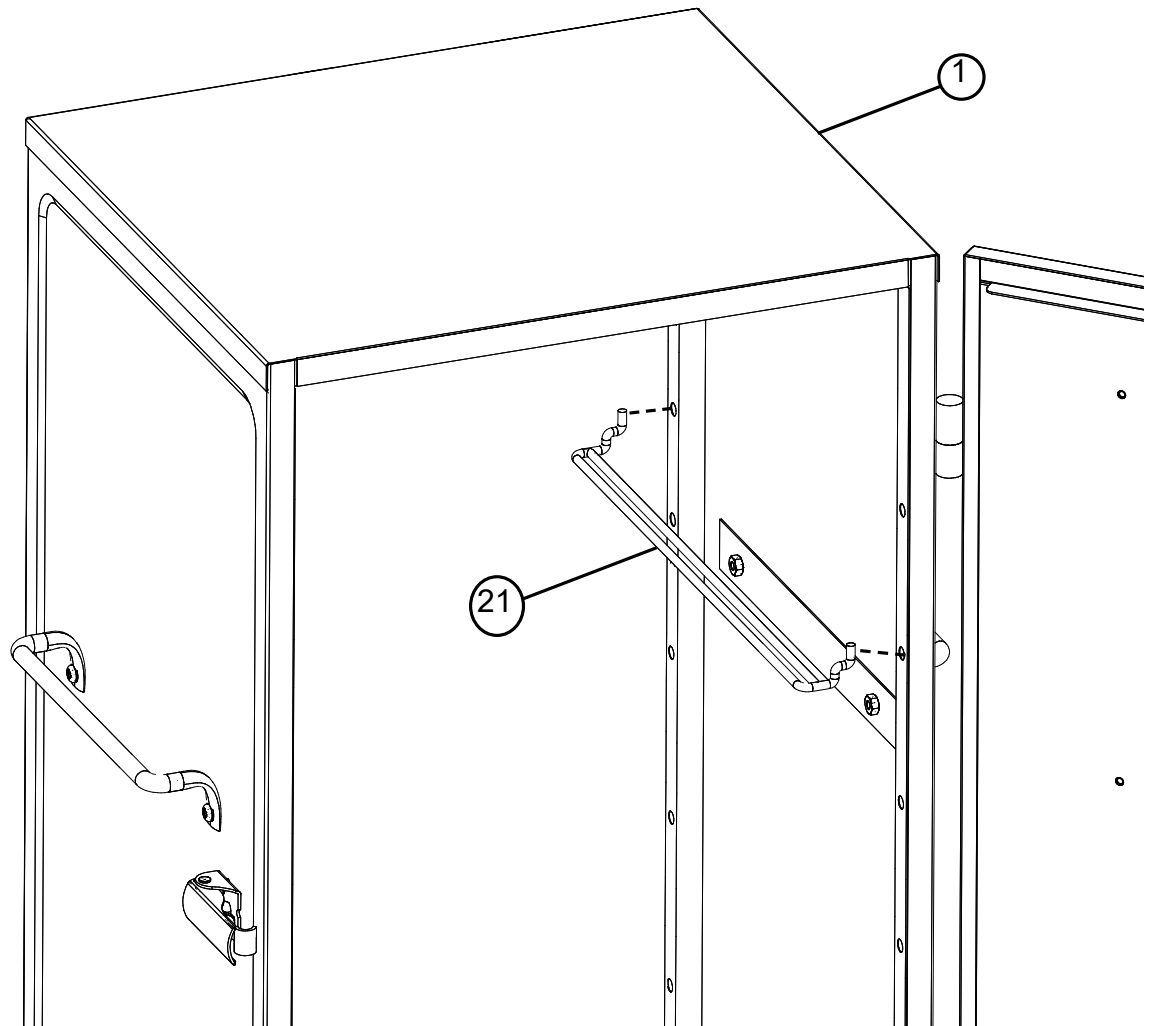


8

10 or 14 grate
supports depending
on model.

10 ou 14 supports
selon le modèle.

10 o 14 soportes de
rejilla dependiendo
del modelo.

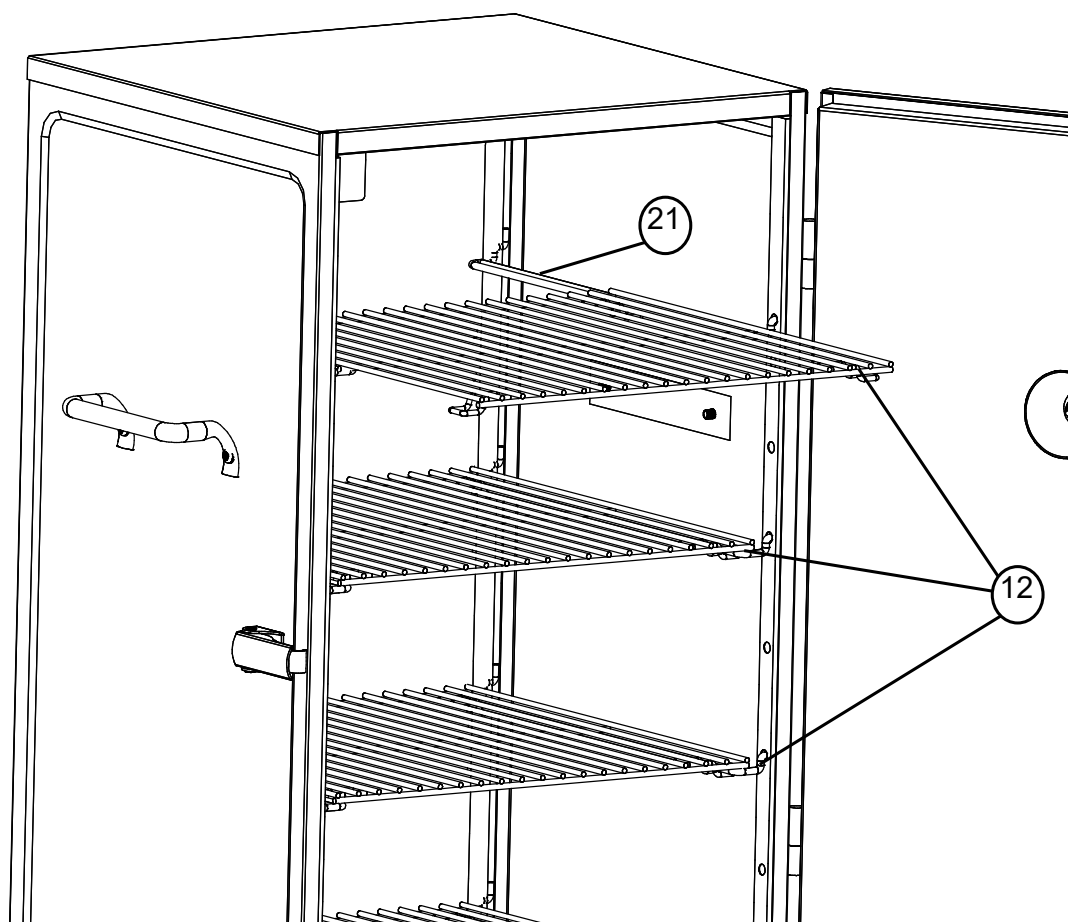


9

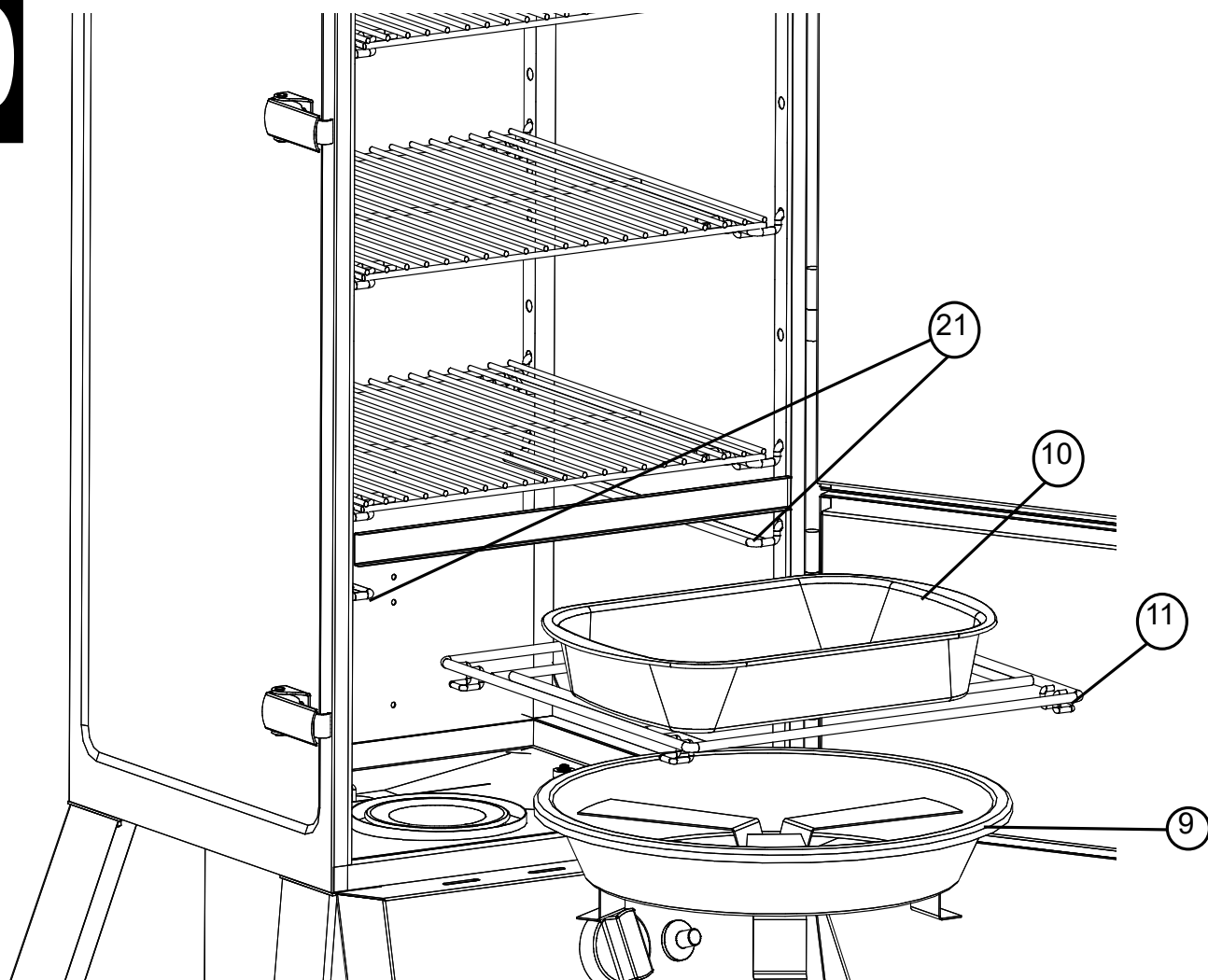
4 or 6 grates depending on model.

4 ou 6 grilles selon le modèle.

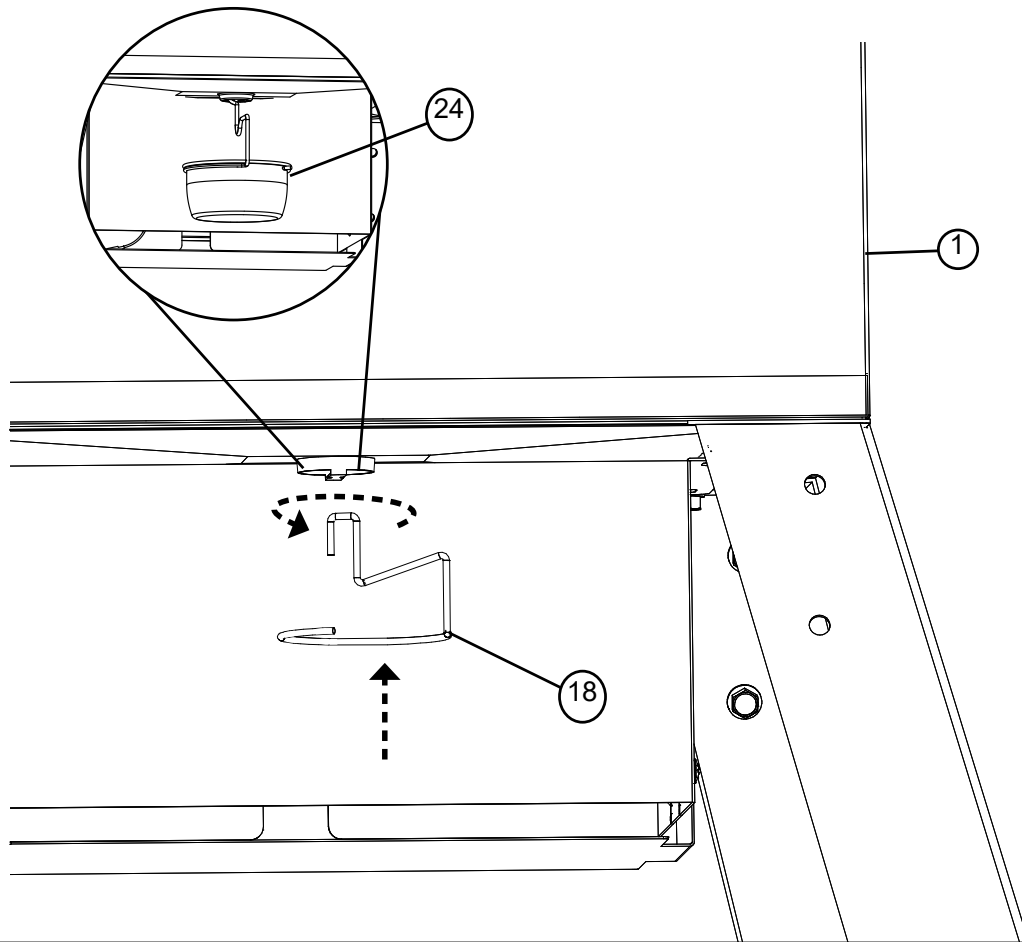
4 o 6 rejillas dependiendo del modelo.



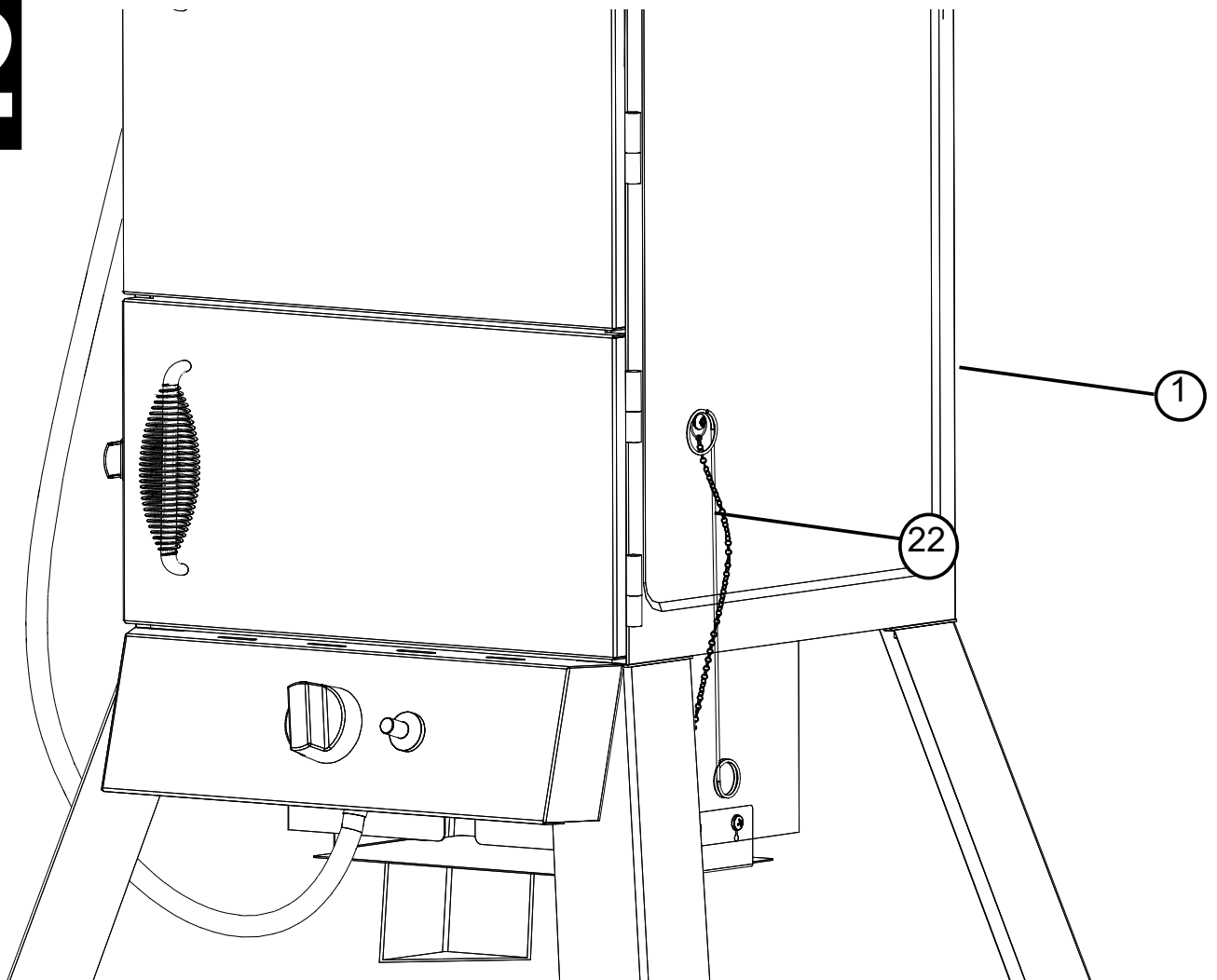
10



11



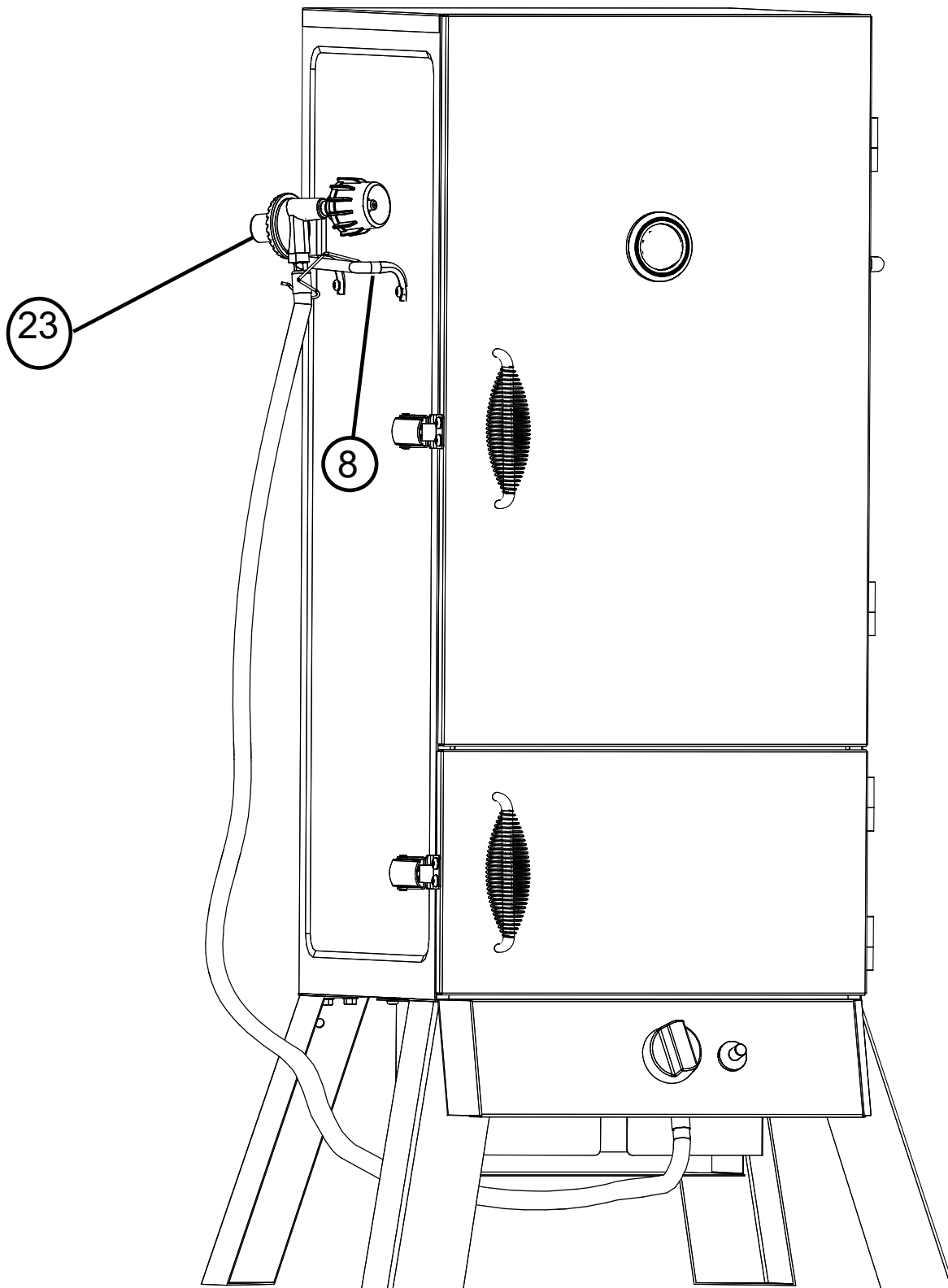
12



When not in use, hang regulator on body handle as shown.

Lorsqu'il n'est pas utilisé, accrocher le régulateur sur la poignée du corps comme indiqué.

Cuando no esté en uso, cuelgue el regulador en la manija del cuerpo como se muestra.



Pulled Pork Sliders Petits burgers au porc effiloché Mini sandwiches de cerdo desmenuzado

- 1 pork butt (8 lb)
- 4 tbsp of your favorite dry rub
- 6 to 7 heaping tablespoons yellow mustard
- 16 slider rolls, split and toasted
- 2 cups ketchup
- ¼ cup apple cider vinegar
- 2 tbsp fresh lemon juice
- 1 tsp garlic powder
- 1 tsp onion powder
- 1 tsp garlic pepper

- 1 soc de porc (3,6 kg)
- 4 c. à soupe de vos épices à frotter préférées
- 6 à 7 c. à soupe combles de moutarde jaune
- 16 petits pains à hamburger, coupés en deux et grillés
- 2 tasses de ketchup
- ¼ tasse de vinaigre de cidre
- 2 c. à soupe de jus de citron frais
- 1 c. à thé d'ail en poudre
- 1 c. à thé d'oignon en poudre
- 1 c. à thé de poivre à l'ail

- 1 paleta de cerdo (8 lb o 3.60 kg)
- 4 cucharadas de su sazónador favorito seco
- 6 a 7 cucharadas colmadas de mostaza amarilla
- 16 bollos, cortados por la mitad y tostados
- 2 tazas de ketchup
- ¼ taza de vinagre de cidra de manzana
- 2 cucharadas de jugo de limón fresco
- 1 cucharadita de ajo en polvo
- 1 cucharadita de cebolla en polvo
- 1 cucharadita de sazónador de ajo con pimienta

1. In a heavy sauce pan over low heat, combine ketchup, cider vinegar, lemon juice, garlic powder, onion powder and garlic pepper and stir well. Simmer, stirring occasionally, for 10 to 15 minutes.
2. Season pork butt generously with dry rub seasoning. Place pork in a resealable plastic bag.
3. Spread mustard evenly over butt while inside the bag to avoid mess. Seal bag and refrigerate overnight.
4. Preheat smoker to 225°F.
5. Place butt on middle rack of smoker and smoke for 7 to 8 hours or until internal temperature reaches 185°F.
6. Remove from smoker. Cover with heavy-duty aluminum foil and return to smoker.
7. Increase smoker temperature to 275°F. Smoke for an additional 2 hours or until internal temperature reaches 200°F.
8. Let meat rest inside foil for 30 minutes. Then pull pork, add to slider buns, top with BBQ sauce, serve and enjoy!

1. Dans une casserole pesante, combiner et bien mélanger le ketchup, le vinaigre de cidre, le jus de citron, l'ail en poudre, l'oignon en poudre et le poivre à l'ail, et faire cuire à feu doux. Faire mijoter pendant 10 à 15 minutes en remuant de temps à autre.
2. Assaisonner généreusement le soc de porc à l'aide des épices à frotter. Placer le porc dans un sac en plastique refermable.
3. Étaler la moutarde uniformément sur le soc placé dans le sac pour éviter les taches. Fermer le sac et mettre au réfrigérateur jusqu'au lendemain.
4. Faire préchauffer le fumoir à 225 °F.
5. Mettre le soc sur la grille centrale du fumoir et faire fumer pendant 7 à 8 heures ou jusqu'à ce que la température interne atteigne 180 °F.
6. Retirer le soc du fumoir. L'envelopper dans du papier d'aluminium résistant et le remettre dans le fumoir.
7. Faire passer la température du fumoir à 275 °F. Faire fumer le soc pendant 2 heures de plus ou jusqu'à ce que la température interne atteigne 200 °F.
8. Laisser la viande poser dans le papier d'aluminium pendant 30 minutes. Ensuite, effiloche le porc, l'ajouter aux petits pains à hamburger, garnir de sauce barbecue, servir et déguster!

1. En una sartén grande sobre fuego bajo, combine el ketchup, el vinagre de cidra de manzana, el jugo de limón fresco, el ajo en polvo, la cebolla en polvo y el sazónador de ajo con pimienta, y mezcle bien. Baje el fuego, mezclando ocasionalmente por 10 a 15 minutos.
2. Sazone la paleta de cerdo generosamente con el sazónador seco. Coloque el cerdo en una bolsa de plástico resellable.
3. Esparza la mostaza uniformemente sobre la paleta mientras esté dentro de la bolsa para evitar ensuciar. Selle la bolsa y refrigere toda la noche.
4. Precaliente el ahumador a 225°F.
5. Coloque la paleta en la rejilla del centro del ahumador y ahúme por 7 a 8 horas o hasta que la temperatura interna alcance los 185°F.
6. Retírela del ahumador. Cúbrela con papel aluminio resistente y regrésela al ahumador.
7. Aumente la temperatura del ahumador a 275°F. Ahúme por 2 horas adicionales o hasta que la temperatura interna alcance los 200°F.
8. Deje que la carne repose dentro del aluminio por 30 minutos. Luego desmenuce el cerdo, agréguelo a los bollos, cubra con salsa de barbacoa, sirva, ¡y disfrute!

See more recipes at recipes.masterbuilt.com.
Découvrez d'autres recettes sur le site recipes.masterbuilt.com.
Encuentre más recetas en recipes.masterbuilt.com.

Master it. Masterbuilt.

MASTERBUILT 1-YEAR LIMITED WARRANTY

Masterbuilt warrants its products to be free from defects in material and workmanship under proper assembly, normal use and recommended care for 1-year from the date of original retail purchase. The Masterbuilt warranty does not cover paint finish as it may burn off during normal use. The Masterbuilt warranty does not cover rust of the unit. Masterbuilt requires proof of purchase for warranty claims and suggests that you keep your receipt. Upon the expiration of such warranty, all such liability shall terminate.

Within the stated warranty period, Masterbuilt, at its discretion, shall replace defective components free of charge, with the owner being responsible for shipping. Should Masterbuilt require return of component(s) in question for inspection, Masterbuilt will be responsible for shipping charges to return requested item. This warranty excludes property damage sustained due to misuse, abuse, accident, damage arising out of transportation, or damage incurred by commercial use of this product.

This expressed warranty is the sole warranty given by Masterbuilt and is in lieu of all other warranties, expressed or implied including merchantability, or fitness for a particular purpose. Neither Masterbuilt nor the retail establishment selling this product has authority to make any warranties or to promise remedies in addition to or inconsistent with those stated above. Masterbuilt's maximum liability, in any event, shall not exceed the purchase price of the product paid by the original consumer/ purchaser. Some states do not allow the exclusion or limitation of incidental or consequential damages. In such a case, the above limitations or exclusions may not be applicable.

California residents only: Notwithstanding this limitation of warranty, the following specific restrictions apply; if service, repair, or replacement of the product is not commercially practical, the retailer selling the product or Masterbuilt will refund the purchase price paid for the product, less the amount directly attributable to use by the original buyer prior to the discovery of the nonconformity. Owner may take the product to the retail establishment selling this product in order to obtain performance under warranty.

This expressed warranty gives you specific legal rights, and you may also have other rights which vary from state to state.



Go online www.masterbuilt.com
or complete and return to
Attn: Warranty Registration
Masterbuilt Manufacturing, LLC
1 Masterbuilt Court - Columbus, GA 31907

Name: _____ Address : _____ City: _____

State/Province: _____ Postal Code: _____ Phone Number: (____) - _____

E-mail Address: _____

*Model Number: _____ *Serial Number: _____

Purchase Date: ____ - ____ - ____ Place of Purchase: _____

**Model Number and Serial Number are located on silver label on back of unit.*

GARANTIE LIMITÉE D'UN AN DE MASTERBUILT

Masterbuilt garantit que ses produits sont exempts de défauts de matériel et de fabrication pendant un an à partir de la date d'achat d'origine s'ils sont assemblés de la manière appropriée, utilisés normalement et entretenus de la façon recommandée. La garantie de Masterbuilt ne couvre pas la finition de peinture, car elle peut brûler au cours d'un usage normal. La garantie de Masterbuilt ne couvre pas la corrosion de l'appareil. Masterbuilt exige une preuve d'achat lors de réclamations au titre de la garantie et vous suggère de conserver votre reçu. Cette garantie prend fin dès la date d'expiration de la garantie.

Durant la période de garantie déclarée, Masterbuilt, à sa discrétion, remplacera gratuitement tout composant défectueux, le propriétaire étant responsable des frais de transport. Advenant que Masterbuilt demande que le ou les composants lui soient retournés pour inspection, Masterbuilt assumera les frais de transport pour le retour du composant demandé. Cette garantie exclut les dommages à la propriété dus à un mauvais usage, un usage abusif, un accident, un dommage résultant du transport ou un dommage dû à un usage commercial de ce produit.

Cette garantie expresse est la seule garantie donnée par Masterbuilt et remplace toute garantie, expresse ou implicite, y compris une garantie de valeur marchande ou d'adaptation à un usage particulier. Ni Masterbuilt ni le détaillant qui vend ce produit ne sont autorisés à fournir des garanties ou à promettre quoi que ce soit qui excède ou qui contredise ce qui est énoncé ci-dessus. La responsabilité maximale de Masterbuilt, dans tous les cas, ne peut dépasser le prix d'achat de l'article payé par le consommateur/l'acheteur d'origine. Certains états/certaines provinces ne permettent pas l'exclusion ou les restrictions des dommages fortuits ou indirects. Dans de tels cas, les restrictions ou exclusions qui précèdent peuvent ne pas être applicables.

Résidents de la Californie seulement : nonobstant cette limite de la garantie, les restrictions particulières s'appliquent : si la révision, la réparation ou le remplacement de l'article n'est pas commercialement faisable, le détaillant qui a vendu l'article ou Masterbuilt remboursera le prix d'achat payé pour cet article, moins le montant directement imputable à l'usage qu'en aura fait l'acheteur d'origine avant la découverte de la non-conformité. Le propriétaire peut rapporter le produit au détaillant qui le lui a vendu pour bénéficier des privilèges que lui accorde la présente garantie. Cette garantie expresse vous confère des droits légaux spécifiques et vous pouvez également avoir d'autres droits qui varient d'un état à l'autre.



Visitez en ligne www.masterbuilt.com
ou remplissez et renvoyez à
Attn : Warranty Registration
Masterbuilt Manufacturing, LLC
1 Masterbuilt Court - Columbus, GA 31907

Nom : _____ Adresse : _____ Ville : _____

État/Province : _____ Code postal : _____ Numéro de téléphone : (____) - _____

Adresse de courriel : _____

*Numéro de modèle : _____ *Numéro de série : _____

Date de l'achat : ____ - ____ - ____ Lieu de l'achat : _____

**Les numéros de série et de modèle se trouvent sur l'étiquette argentée derrière l'appareil.*

GARANTÍA LIMITADA POR 1 AÑO DE MASTERBUILT

Masterbuilt garantiza que sus productos no presentan defectos de fabricación, ni de material ni de la mano de obra, si se los ensambla correctamente, se los utiliza de forma normal y se los cuida según las recomendaciones, durante un período de 1 año a partir de la fecha de compra original. La garantía de Masterbuilt no cubre el acabado de la pintura ya que puede salirse durante el uso normal. La garantía de Masterbuilt no cubre la oxidación de la unidad. Masterbuilt exige el comprobante de la compra para realizar reclamos de la garantía y sugiere que conserve su recibo. Después de la fecha de vencimiento de la garantía, finalizarán todas las responsabilidades.

Durante el período de vigencia establecido de la garantía, Masterbuilt, a su criterio, reemplazará los componentes defectuosos sin costo alguno, debiendo hacerse responsable el propietario de los gastos de envío. Si Masterbuilt requiere la devolución del o los componentes en cuestión para su inspección, Masterbuilt será responsable de todos los cargos de envío para devolver el artículo solicitado. Esta garantía excluye los daños ocasionados a la propiedad por el mal uso, el uso excesivo, los accidentes, el transporte o el uso comercial de este producto.

Esta garantía expresa es la única garantía entregada por Masterbuilt y reemplaza a todas las demás garantías, expresas o implícitas, incluidas las de comercialización o idoneidad para cualquier fin en particular. Ni Masterbuilt ni el establecimiento minorista que ofrece este producto, tienen autoridad alguna para otorgar garantías adicionales o prometer otros recursos que sean inconsistentes con los establecidos previamente. La responsabilidad máxima de Masterbuilt, en todos los casos, no superará el precio de compra del producto que el cliente o comprador original pagó. Algunos estados no permiten la exclusión o limitación de daños accidentales o resultantes. En dicho caso, no se aplicarán las exclusiones o limitaciones anteriores.

Solo para residentes de California: A pesar de esta limitación de garantía, se aplican las siguientes restricciones específicas; si el mantenimiento, la reparación o el reemplazo del producto no se puede realizar comercialmente, el establecimiento minorista que ofrece el producto o Masterbuilt devolverá el monto original de la compra del producto, menos el monto directamente atribuible al uso por parte del comprador original antes de informar su disconformidad. El propietario puede llevar el producto al establecimiento minorista que lo ofrece a fin de obtener la ejecución de cualquier obligación en virtud de esta garantía. Esta garantía expresa le otorga derechos legales específicos, y es posible que también tenga otros derechos que varían de un estado a otro.



Visítenos en línea en: www.masterbuilt.com
o complete este formulario y envíelo a:
A la atención de: Warranty Registration
Masterbuilt Manufacturing, LLC
1 Masterbuilt Court - Columbus, GA 31907

Nombre: _____ Dirección : _____ Ciudad: _____

Estado/Provincia: _____ Código postal: _____ Número de teléfono: (____) - _____

Correo electrónico: _____

*Número de modelo: _____ *Número de serie: _____

Fecha de compra: ____ - ____ - ____ Lugar de compra: _____

**El número de modelo y el número de serie se encuentran en la etiqueta plateada en la parte posterior de la unidad.*

MASTERBUILT®

EST. 1973

Rest assured, we're here to help.

Customer Service
Service à la clientèle
Servicio de atención al cliente

[masterbuilt.com/contact](https://www.masterbuilt.com/contact)

Masterbuilt Manufacturing, LLC
1 Masterbuilt Court | Columbus, GA | 31907

@masterbuilt



1.800.489.1581

www.masterbuilt.com

